



## **PARTS BOOK**

# **Butterfly multi-head tubular embroidery machine**



# BUTTERFLY BRAND MULTI-HEAD TUBULAR EMBROIDERY MACHINE PARTS BOOK

1. BUTTERFLY MULTI-HEAD TUBULAR EMBROIDERY MACHINES, RANGING FROM 3 NEEDLES TO 15 NEEDLES, STANDARD TO CUSTOMIZED EMBROIDERY AREA... IS DEVIDED INTO 23 DIAGRAMS.
2. IN EACH DIAGRAM, ALL PARTS ARE INDICATED WITH A DIGITAL WHICH IS USED TO LOCATE IT IN THE PARTS BOOK.  
(FOR EXAMPLE, DIGRAM 5-MACHIHNE HEAD COMPONENTS & PART 25, IT IS 5/25. Press CTRL+F AND INPUT 5/25, THE PART IS LOCATED.)
3. FILL UP THE AFTER-SALES APPLICATION FORM WITH REQUIRED INFORMATION AND SEND IT TO BUTTERFLY. THE APPLICATION FORM COULD BE FOUND RIGHT NEXT TO THE DIAGRAM FORM.

1. FRAME AND TABLE (TWO HEADS)					用量 CONSUMPTION				
部件/序号 COMPONENTS/NO.	序号 O.	图号 DIAGRAM NO.	名称 NAME	单位 UNIT	901-C	902-C	904-C	906-C	908-C
1/1	1	922-15-01	机架组件 FRAMING ASM	套 SET	1				
1/1	1	922-15-01-1	机架组件 FRAMING ASM	套 SET		1			
1/2	2	922-16-01	机架左右盖板 FRAMING COVER	张 PIECE	2	2			
1/3	3	922-16-03	机架挡板 FRAMING STOPPER	张 PIECE	1	1			
1/4	4	197-106-0206	十字圆头螺钉M5*10 SCREW	颗 GRAIN	55	58			
1/5	5	922-04-61	前台 SET板支撑组件 FRONT TABLE SUPPORT ASM	套 SET	1	2			
1/6	6	922-04-20	台 SET板支撑定位板(短) TABLE SUPPORT SET PLATE(SHORT)	个 PIECE	1	2			
1/7	7	900-16-30	内六角螺丝M6*20 SCREW	颗 GRAIN	1	2			
1/8	8	197-16-1004	平垫片M6 PLANT WASHER	个 PIECE	1	2			
1/9	9	900-16-111	十字平头螺钉5*12 SCREW	颗 GRAIN	2	4			
1/10	10	900-16-18	内六角螺丝M5*12 SCREW	颗 GRAIN	1	2			
1/11	11	197-16-1003	平垫片M5 PLANT WASHER	个 PIECE	1	2			
1/12	12	900-18-05	机架标牌 FRAMING NAME PLATE	张 PIECE	1	1			
1/13	13	922-16-05	台 SET板前支撑罩板(右) FRONT TABLE SUPPORT COVER PLATE(RIGHT)	张 PIECE	1	1			
1/14	14	922-16-06	台 SET板前支撑罩板(左) FRONT TABLE SUPPORT COVER PLATE(LEFT)	张 PIECE	1	1			
1/15	15	922-16-07	台 SET板后支撑罩板(右) BACK TABLE SUPPORT COVER PLATE(RIGHT)	张 PIECE	1	1			
1/16	16	922-16-08	台 SET板后支撑罩板(左) BACK TABLE SUPPORT COVER PLATE(LEFT)	张 PIECE	1	1			
1/17	17	922-04-43-1	台 SET板后支撑罩板支架(短) BACK TABLE SUPPORT COVER PLATE BRACK	个 PIECE	4	4			
1/18	18	922-04-43-2	台 SET板后支撑罩板支架(长) BACK TABLE SUPPORT COVER PLATE BRACK	个 PIECE	4	4			
1/19	19	900-16-80	十字沉头螺丝4*16 SCREW	颗 GRAIN	21	23			
1/20	20	922-15-12	台 SET板右支撑(长) RIGHT TABLE SUPPORT(LONG)	根 BAR	1	1			
1/21	21	922-15-13	台 SET板左支撑(长) LEFT TABLE SUPPORT(LONG)	根 BAR	1	1			
1/22	22	922-15-14	台 SET板左支撑(短) LEFT TABLE SUPPORT(SHORT)	根 BAR		1			
1/23	23	922-15-15	台 SET板支撑(中) TABLE SUPPORT(MEDIUM)	根 BAR	2	2			
1/24	24	922-16-34	内六角螺丝M8*16 HEXAGONAL SOCKET SCREW	颗 GRAIN	8	8			
1/25	25	922-04-43-3	台 SET板支撑 TABLE SUPPORT	根 BAR	2	2			
1/26	26	900-15-14	门盖 FACE COVER	个 PIECE	6	7			
1/27	27	197-106-0252	十字沉头螺丝M6*12 SCREW	颗 GRAIN	8	10			
1/28	28	197-106-0237	台 SET板调节螺丝 SCREW	颗 GRAIN	8	10			
1/29	29	197-14-1006	螺母M10 NUT	颗 GRAIN	16	20			
1/30	30	197-16-1006	平垫片M10 PLANT WASHER	个 PIECE	8	10			
1/31	31	197-16-2005	弹簧垫片M10 FLEXIBLE WASHER	个 PIECE	8	10			
1/32	32	197-106-0204	台 SET板连接块木螺丝3*25 SCREW	颗 GRAIN	34	40			
1/33	33	922-04-21	台 SET板支撑定位板(长) TABLE SUPPORT SET PLATE(LONG)	个 PIECE	1	2			
1/34	34	922-04-80-1	台 SET板组件 STAND ASM	套 SET	1	1			
1/35	35	922-04-80-2	台 SET板(下) BELOW STAND	张 PIECE	1	1			
1/36	36	922-04-63	台 SET板定位块 TABLE(DOWN)	个 PIECE	8	10			
1/37	37	900-16-28	内六角螺丝M6*10 SCREW	颗 GRAIN	8	10			
1/38	38	922-16-09	小盖板(右) SMALL COVER PLATE(RIGHT)	张 PIECE	1	1			
1/39	39	922-16-10	小盖板(左) SMALLCOVER PLATE(LEFT)	张 PIECE	1	1			
1/40	40	922-16-11	编码器盖板 ROTARY ENCODER COVER PLATE	张 PIECE	1	1			
1/41	41	922-16-12	皮带槽盖板 ROTARY ENCODER COVER PLATE	张 PIECE	1	1			
1/42	42	197-105-0176	日光灯20W LAMP 20W	根 BAR	1				
1/42		900-15-11-1	日光灯30W LAMP 30W	根 BAR		1			
1/43	43	197-105-0176	日光灯架20W LAMP FRAMING 20W	个 PIECE	1				
1/43		900-15-12	日光灯架30W LAMP FRAMING 30W	个 PIECE		1			
1/44	44	900-18-06	机架标牌 FRAMING NAME PLATE	张 PIECE	1	1			
1/45	45	900-16-73	十字圆头螺丝4*6 SCREW	颗 GRAIN	4	4			



# BUTTERFLY BRAND MULTI-HEAD TUBULAR EMBROIDERY MACHINE PARTS BOOK

1. BUTTERFLY MULTI-HEAD TUBULAR EMBROIDERY MACHINES, RANGING FROM 3 NEEDLES TO 15 NEEDLES, STANDARD TO CUSTOMIZED EMBROIDERY AREA... IS DEVIDED INTO 23 DIAGRAMS.
2. IN EACH DIAGRAM, ALL PARTS ARE INDICATED WITH A DIGITAL WHICH IS USED TO LOCATE IT IN THE PARTS BOOK.  
(FOR EXAMPLE, DIGRAM 5-MACHINNE HEAD COMPONENTS & PART 25, IT IS 5/25. Press CTRL+F AND INPUT 5/25, THE PART IS LOCATED.)
3. FILL UP THE AFTER-SALES APPLICATION FORM WITH REQUIRED INFORMATION AND SEND IT TO BUTTERFLY. THE APPLICATION FORM COULD BE FOUND RIGHT NEXT TO THE DIAGRAM FORM.

## 2. FRAME AND TABLE (FOUR SIX EIGHT TEN TWELVE FIFTEEN HEADS)

部件/序号 COMPONENTS/NO.	序号 NO.	图号 DIAGRAM NO.	名称 NAME	单位 UNIT	用量 CONSUMPTION				
					901-C	902-C	904-C	906-C	908-C
					2/1	1	922-15-02-4	机架组件 FRAMING ASM	套 SET
2/1	1	922-15-02-6	机架组件 FRAMING ASM	套 SET				1	
2/1	1	922-15-02-8	机架组件 FRAMING ASM	套 SET					1
2/2	2	197-99-2266	排风扇 EXHAUST FAN	个 PIECE			2	2	2
2/3	3	197-14-1003	螺母M5 NUT	颗 GRAIN			8	8	8
2/4	4	197-105-0151	排风扇罩壳 EXHAUST FAN COVER	个 PIECE			2	2	2
2/5	5	197-16-1003	平垫片M5 PLANT WASHER	个 PIECE			24	26	28
2/6	6	900-16-18	内六角螺丝M5*12 SCREW	颗 GRAIN			8	8	8
2/7	7	900-16-80	十字沉头木螺丝4*16 SCREW	颗 GRAIN			31	35	39
2/8	8	922-15-10	台 SET板前支撑(右) FRONT TABLE SUPPORT(RIGHT)	根 BAR			1	1	1
2/9	9	922-15-11	台 SET板前支撑(左) FRONT TABLE SUPPORT(LEFT)	根 BAR			1	1	1
2/10	10	922-15-18	台 SET板后支撑(右) BACK TABLE SUPPORT(RIGHT)	根 BAR			1	1	1
2/11	11	922-15-19	台 SET板后支撑(左) BACK TABLE SUPPORT(LEFT)	根 BAR			1	1	1
2/12	12	900-16-111	十字平头螺钉5*12 SCREW	颗 GRAIN			16	20	24
2/13	13	922-16-04	机架挡板 FRAMING STOPPER	张 PIECE			1	1	1
2/14	14	197-106-0206	十字圆头螺钉M5*10 SCREW	颗 GRAIN			22	24	24
2/15	15	922-16-02	机架左右盖板 FRAMING COVER	张 PIECE			2	2	2
2/16	16	922-04-61	前台 SET板支撑组件 FRONT TABLE SUPPORT ASM	套 SET			4	6	8
2/17	17	900-16-30	内六角螺丝M6*20 SCREW	颗 GRAIN			4	6	8
2/18	18	197-16-1004	平垫片M6 PLANT WASHER	个 PIECE			4	6	8
2/19	19	900-16-18	内六角螺丝M5*12 SCREW	颗 GRAIN			4	6	8
2/20	20	922-04-20	台 SET板支撑定位板(短) TABLE SUPPORT SET PLATE (SHORT)	个 PIECE			4	6	8
2/21	21	900-18-05	机架标牌 FRAMING NAME PLATE	张 PIECE			1	1	1
2/22	22	900-13-11	伺服电机座组件 SERVO MOTOR BASE ASM	套 SET			1	1	1
2/23	23	900-13-07	伺服电机750W SERVO MOTOR	个 PIECE			1	1	1
2/24	24	197-16-2004	弹簧垫片M8 FLEXIBLE WASHER	个 PIECE			12	12	12
2/25	25	197-16-1005	平垫片M8 PLANT WASHER	个 PIECE			12	12	12
2/26	26	900-16-38	内六角螺丝M8*40 SCREW	颗 GRAIN			12	12	12
2/27	27	197-14-1006	螺母M10 NUT	颗 GRAIN			24	44	52
2/28	28	197-16-2005	弹簧垫片M10 FLEXIBLE WASHER	个 PIECE			12	22	26
2/29	29	197-16-1006	平垫片M10 PLANT WASHER	个 PIECE			12	22	26
2/30	30	197-106-0237	台 SET板调节螺丝 SCREW	颗 GRAIN			12	22	26
2/31	31	922-15-17	台 SET板右支撑(长) RIGHT TABLE SUPPORT(LONG)	根 BAR			1	1	1
2/32	32	922-15-16	台 SET板左支撑(长) LEFT TABLE SUPPORT(LONG)	根 BAR			1	1	1
2/33	33	922-15-15	台 SET板支撑(中) TABLE SUPPORT(MEDIUM)	根 BAR			2	7	9
2/34	34	922-15-14	台 SET板左支撑(短) LEFT TABLE SUPPORT(SHORT)	根 BAR			2	2	2
2/35	35	900-15-14	门盖 FACE COVER	个 PIECE			8	13	15
2/36	36	922-04-43-3	台 SET板支撑 TABLE SUPPORT	根 BAR			2	2	2
2/37	37	922-16-34	内六角螺丝M8*16 SCREW	颗 GRAIN			8	8	8
2/38	38	197-106-0252	十字沉头螺丝M6*12 SCREW	颗 GRAIN			12	22	26
2/39	39	197-106-0204	台 SET板连接块木螺丝3*25 SCREW	颗 GRAIN			50	68	80
2/40	40	9221-04-80-3	台 SET板 TABLE	套 SET			1	1	1
2/41	41	922-16-13	Y驱动座盖板(右) Y-DRIVER COVER (RIGHT)	张 PIECE			1	1	1
2/42	42	922-16-14	Y驱动座盖板(左) Y-DRIVER COVER (LEFT)	张 PIECE			1	1	1
2/43	43	922-04-21	台 SET板支撑定位板(长) TABLE SUPPORT SET PLATE (LONG)	个 PIECE			4	6	8
2/44	44	922-04-63	台 SET板定位块 TABLE SET BOARD	个 PIECE			14	18	22
2/45	45	900-16-28	内六角螺丝M6*10 SCREW	颗 GRAIN			14	18	22
2/46	46	900-15-11-1	日光灯30W LAMP 30W	根 BAR			2	2	
2/46	46	900-15-11-2	日光灯40W LAMP40W	根 BAR					2
2/47	47	900-15-12	日光灯架30W LAMP FRAMING 30W	个 PIECE			2	2	
2/47	47	900-15-13	日光灯架40W LAMP FRAMING 40W	个 PIECE					2
2/48	48	922-16-11	编码器盖板 ROTARY ENCODER COVER	个 PIECE			1	1	1
2/49	49	922-16-12	皮带槽盖板 RACE COVER	个 PIECE			1	1	1
2/50	50	900-08-12	通断开关 SWITCH	个 PIECE			1	1	1



# BUTTERFLY BRAND MULTI-HEAD TUBULAR EMBROIDERY MACHINE PARTS BOOK

1. BUTTERFLY MULTI-HEAD TUBULAR EMBROIDERY MACHINES, RANGING FROM 3 NEEDLES TO 15 NEEDLES, STANDARD TO CUSTOMIZED EMBROIDERY AREA... IS DEVIDED INTO 23 DIAGRAMS.
2. IN EACH DIAGRAM, ALL PARTS ARE INDICATED WITH A DIGITAL WHICH IS USED TO LOCATE IT IN THE PARTS BOOK.  
(FOR EXAMPLE, DIGRAM 5-MACHIHNE HEAD COMPONENTS & PART 25, IT IS 5/25. Press CTRL+F AND INPUT 5/25, THE PART IS LOCATED.)
3. FILL UP THE AFTER-SALES APPLICATION FORM WITH REQUIRED INFORMATION AND SEND IT TO BUTTERFLY. THE APPLICATION FORM COULD BE FOUND RIGHT NEXT TO THE DIAGRAM FORM.

## 3. CONTOUR CASE/CONTROL PANEL (TWO HEADS)

部件/序号 COMPONENTS/NO.	序号 NO.	图号 DIAGRAM NO.	名称 NAME	单位 UNIT	用量 CONSUMPTION				
					901-C	902-C	904-C	906-C	908-C
					3/1	1	922-15-02-10	等高箱(右) CONTOUR BOX(RIGHT)	个 PIECE
3/2	2	922-15-02-11	等高箱(左) CONTOUR BOX(LEFT)	个 PIECE	1	1			
3/3	3	922-16-15	左右边盖 EDGE COVER	张 PIECE	2	2			
3/4	4	922-03-28	皮带轮M6*32齿Φ15 BELT WHEEL	个 PIECE	2	2			
3/5	5	922-04-67	支撑座 SUPPORT BASE	个 PIECE	1	1			
3/6	6	900-16-49	内紧定螺丝M6*6 SCREW	颗 GRAIN	4	4			
3/7	7	922-03-29	尼龙涨紧轮 NYLON TENSION BEARING WHEEL	个 PIECE	2	2			
3/8	8	922-07-01	内卡簧 INNER CLIP SPRING	个 PIECE	4	4			
3/9	9	922-07-02	6000RS轴承 BALL BEARING	个 PIECE	4	4			
3/10	10	922-07-03	外卡簧 OUT CLIP SPRING	个 PIECE	2	2			
3/11	11	922-03-33-1	涨紧轮轴(长) TENSION BEARING CASE SHAFT(SHORT)	个 PIECE	1	1			
3/12	12	922-03-33-2	涨紧轮轴(短) TENSION BEARING CASE SHAFT(LONG)	个 PIECE	1	1			
3/13	13	900-13-01	刻度盘 THE INDEX PLATE	张 PIECE	1	1			
3/14	14	900-13-02	刻度盘指针 THE INDEX PLATE POINTER	个 PIECE	1	1			
3/15	15	900-16-06	内六角螺丝M4*8 SCREW	颗 GRAIN	2	2			
3/16	16	197-16-1002	平垫片M4 PLANT WASHER	个 PIECE	2	2			
3/17	17	900-16-18	内六角螺丝M5*12 SCREW	颗 GRAIN	2	2			
3/18	18	197-16-1003	平垫片M5 PLANT WASHER	个 PIECE	10	10			
3/19	19	197-106-0206	圆头十字螺丝M5*10 SCREW	颗 GRAIN	21	21			
3/20	20	197-14-1005	螺母M8 NUT	颗 GRAIN	1	1			
3/21	21	922-03-31	皮带5M-1100-20 BELT	根 BAR	1	1			
3/22	22	922-03-01-1	万向轴承座组件 BALL BEARING BASE ASM	套 SET	1	1			
3/23	23	900-16-30	内六角螺丝M6*20 SCREW	颗 GRAIN	6	6			
3/24	24	197-16-1004	平垫片M6 PLANT WASHER	个 PIECE	8	8			
3/25	25	197-16-2003	弹簧垫片M6 FLEXIBLE WASHER	个 PIECE	8	8			
3/26	26	900-13-06	伺服电机 SERVO MOTOR	个 PIECE	1	1			
3/27	27	922-03-34	16齿皮带轮Φ14 BELT WHEEL	个 PIECE	1	1			
3/28	28	922-13-06	伺服电机安装板 SERVO MOTOR INSTALL BOARD	张 PIECE	1	1			
3/29	29	900-16-50	内紧定螺丝M6*8 SCREW	颗 GRAIN	2	2			
3/30	30	900-16-18	电机螺丝M5*12 MOTOR SCREW	颗 GRAIN	4	4			
3/31	31	197-16-9011	弹簧垫片M5 FLEXIBLE WASHER	个 PIECE	12	12			
3/32	32	922-16-16	伺服电机罩壳 SERVO MOTOR COVER	个 PIECE	1	1			
3/33	33	922-04-43-4	伺服电机盖罩壳固定板 SERVO MOTOR COVER SET BOARD	根 BAR	1	1			
3/34	34	922-16-17	皮带轮罩壳 BELT WHEEL COVER	个 PIECE	1	1			
3/35	35	922-13-05	电脑显示器支架 COMPUTER MONITOR CRADLE	个 PIECE	2	2			
3/36	36	197-14-1004	螺母M6 NUT	颗 GRAIN	2	2			
3/37	37	900-16-17	内六角螺丝M5*10 SCREW	颗 GRAIN	8	8			
3/38	38	900-16-33	内六角螺丝M6*35 SCREW	颗 GRAIN	2	2			
3/39	39	922-02-02	电脑(5A型单头) COMPUTER	套 SET	1				
3/39	39	92-02-02-1	电脑(5A型双头) COMPUTER	套 SET		1			
3/40	40	900-18-04	警告标志(齿轮) WARNING SIGNS	张 PIECE	1	1			



# BUTTERFLY BRAND MULTI-HEAD TUBULAR EMBROIDERY MACHINE PARTS BOOK

1. BUTTERFLY MULTI-HEAD TUBULAR EMBROIDERY MACHINES, RANGING FROM 3 NEEDLES TO 15 NEEDLES, STANDARD TO CUSTOMIZED EMBROIDERY AREA... IS DEVIDED INTO 23 DIAGRAMS.
2. IN EACH DIAGRAM, ALL PARTS ARE INDICATED WITH A DIGITAL WHICH IS USED TO LOCATE IT IN THE PARTS BOOK.  
(FOR EXAMPLE, DIGRAM 5-MACHIHNE HEAD COMPONENTS & PART 25, IT IS 5/25. Press CTRL+F AND INPUT 5/25, THE PART IS LOCATED.)
3. FILL UP THE AFTER-SALES APPLICATION FORM WITH REQUIRED INFORMATION AND SEND IT TO BUTTERFLY. THE APPLICATION FORM COULD BE FOUND RIGHT NEXT TO THE DIAGRAM FORM.

4. CONTOUR CASE/CONTROL PANEL (FOUR SIX EIGHT TEN TWELVE HEADS)							用量 CONSUMPTION				
部件/序号 COMPONENTS/NO.	序号 NO.	图号 DIAGRAM NO.	名称 NAME	单位 UNIT	901-C	902-C	904-C	906-C	908-C		
4/1	1	922-15-02-1	等高箱(右) CONTOUR BOX(RIGHT)	个 PIECE			1	1	1		
4/2	2	922-15-02-2	等高箱(左) CONTOUR BOX(LEFT)	个 PIECE			1	1	1		
4/3	3	922-03-11	小箱体涨紧轮组件 SMALL BOX TENSION BEARING WHEEL ASM	套 SET			1	1	1		
4/4	4	900-16-29	内六角螺丝M6*12 SCREW	颗 GRAIN			4	4	4		
4/5	5	922-03-08	涟轮箱 RIPPLE ROUND BOX	个 PIECE			1	1	1		
4/6	6	900-16-18	内六角螺丝M5*12 SCREW	颗 GRAIN			10	10	10		
4/7	7	197-16-1003	平垫片M5 PLANT WASHER	个 PIECE			8	8	8		
4/8	8	900-13-02	刻度盘指针 SCALE POINTER	个 PIECE			1	1	1		
4/9	9	900-13-21	同步带轮8*22*15咀 TIMING WHEEL	个 PIECE			1	1	1		
4/10	10	900-13-01	刻度盘 ANGLE INDICATOR PLATE	个 PIECE			1	1	1		
4/11	11	900-16-54	内紧定螺丝M8*8 SCREW	颗 GRAIN			10	10	10		
4/12	12	900-16-06	内六角螺丝M4*8 SCREW	颗 GRAIN			2	2	2		
4/13	13	922-03-06	皮带8M*1200*30 BELT	根 BAR			1	1	1		
4/14	14	922-16-18	左边盖 LEFT COVER	张 PIECE			1	1	1		
4/15	15	922-16-19	上轴承座罩壳 OVER BALL BEARING BASE COVER	个 PIECE			1	1	1		
4/16	16	900-13-15	600皮带8M*40 BELT	根 BAR			1	1	1		
4/17	17	900-13-20	同步带轮8*22*15平 TIMING WHEEL	个 PIECE			3	3	3		
4/18	18	900-13-13	6004轴承 SETΦ15 6004 BALL BEARING	个 PIECE			5	5	5		
4/19	19	900-16-45	内紧定螺丝M5*6 SCREW	颗 GRAIN			10	10	10		
4/20	20	900-09-03	6004轴承 6004 BALL BEARING	个 PIECE			5	5	5		
4/21	21	900-13-12	上下支座 BRACKET	个 PIECE			2	2	2		
4/22	22	900-09-02	卡簧 CLIP SPRING	个 PIECE			5	5	5		
4/23	23	922-07-04	电机皮带轮 MOTOR BELT WHEEL	个 PIECE			1	1	1		
4/24	24	900-03-17-5	上轴Φ15 UPPER SHAFT	套 SET			1	1	1		
4/25	25	900-16-36	内六角螺丝M8*30 SCREW	颗 GRAIN			4	4	4		
4/26	26	900-07-08	插线钉 ARM SPOOL PIN	根 BAR			2	2	2		
4/27	27	900-20-04	底线座 BASELINE BASE	个 PIECE			1	1	1		
4/28	28	197-16-9011	弹簧垫片M5 FLEXIBLE WASHER	个 PIECE			6	6	6		
4/29	29	197-14-1003	M5螺帽 NUT	个 PIECE			2	2	2		
4/30	30	922-03-02	后轴轴承座 BACK AXIS BALL BEARING BASE	个 PIECE			1	1	1		
4/31	31	900-03-17-6	涟轮箱轴Φ15 RIPPLE ROUND BOX AXIS	套 SET			1	1	1		
4/32	32	922-16-20	右边盖 RIGHT COVER	张 PIECE			1	1	1		
4/33	33	900-02-01	电脑支撑 COMPUTER	套 SET			1	1	1		
4/34	34	900-02-02-2	电脑(5A型4头) COMPUTER	台 SET			1				
4/34	34	900-02-02-3	电脑(5A型6头) COMPUTER	台 SET				1			
4/34	34	900-02-02-4	电脑(5A型8头) COMPUTER	台 SET					1		
4/35	35	197-106-0206	边盖螺钉M5*10 SCREW	颗 GRAIN			22	22	22		
4/36	36	900-18-04	警告标志(齿轮) WARNING SIGNS	张 PIECE			1	1	1		
4/37	37	900-03-19	连接套 SETΦ15 CONNECTING SET	个 PIECE			1	2	2		
4/38	38	900-16-53	内紧定螺丝M8*6 SCREW	颗 GRAIN			8	16	16		
4/39	39	900-13-17	皮带960-8M-30 BELT	根 BAR			1	1	1		
4/40	40	900-16-30	内六角螺丝M6*20 SCREW	颗 GRAIN			2	2	2		
4/41	41	900-16-44	内紧定螺丝M4*6 SCREW	颗 GRAIN			1	1	1		
4/42	42	197-16-1002	平垫片M4 PLANT WASHER	个 PIECE			1	1	1		
4/43	43	900-16-33-01	内六角螺丝M6*55 SCREW	颗 GRAIN			1	1	1		
4/44	44	922-03-04	直角涨紧轮 RIGHT-ANGLE TENSION BEARING WHEEL	套 SET			1	1	1		
4/45	45	900-16-31	内六角螺丝M6*25 SCREW	颗 GRAIN			2	2	2		
4/46	46	197-16-1004	平垫片M6 PLANT WASHER	个 PIECE			4	4	4		
4/47	47	197-16-2003	弹簧垫片M6 SPRING WASHER	个 PIECE			4	4	4		
4/48	48	900-18-06	机器标牌 MACHINE NAME PLATE	张 PIECE			1	1	1		
4/49	49	900-16-73	十字圆头螺丝4*6 SCREW	颗 GRAIN			4	4	4		



# BUTTERFLY BRAND MULTI-HEAD TUBULAR EMBROIDERY MACHINE PARTS BOOK

1. BUTTERFLY MULTI-HEAD TUBULAR EMBROIDERY MACHINES, RANGING FROM 3 NEEDLES TO 15 NEEDLES, STANDARD TO CUSTOMIZED EMBROIDERY AREA... IS DEVIDED INTO 23 DIAGRAMS.
2. IN EACH DIAGRAM, ALL PARTS ARE INDICATED WITH A DIGITAL WHICH IS USED TO LOCATE IT IN THE PARTS BOOK.  
(FOR EXAMPLE, DIGRAM 5-MACHIHNE HEAD COMPONENTS & PART 25, IT IS 5/25. Press CTRL+F AND INPUT 5/25, THE PART IS LOCATED.)
3. FILL UP THE AFTER-SALES APPLICATION FORM WITH REQUIRED INFORMATION AND SEND IT TO BUTTERFLY. THE APPLICATION FORM COULD BE FOUND RIGHT NEXT TO THE DIAGRAM FORM.

5. MACHINE HEAD COMPONENTS					用量				
部件/序号 COMPONENTS/NO.	序号 NO.	图号 DIAGRAM NO.	名称 NAME	单位 UNIT	CONSUMPTION				
					901-C	902-C	904-C	906-C	908-C
5/1	1	900-09-01	机壳 FRAME	个 PIECE	1	2	4	6	8
5/2	2	900-16-37	内六角螺丝M8*35 SCREW	颗 GRAIN	3	6	12	18	24
5/3	3	197-16-2004	弹簧垫片M8 FLEXIBLE WASHER	个 PIECE	3	6	12	18	24
5/4	4	197-16-1005	平垫片M8 PLANT WASHER	个 PIECE	3	6	12	18	24
5/5	5	900-09-04	6004轴承座 6004 BEARING BRACKET	个 PIECE	1	2	4	6	8
5/6	6	900-16-17	内六角螺丝M5*10 SCREW	颗 GRAIN	3	6	12	18	24
5/7	7	900-09-20	凸轮套 SET圈 CAM COLLAR RING	个 PIECE	1	2	4	6	8
5/8	8	900-09-02	卡簧 CLIP SPRING	个 PIECE	1	2	4	6	8
5/9	9	900-09-09	三眼连杆 THREE-HOLE CONNECTING ROD	个 PIECE	1	2	4	6	8
5/10	10	900-09-05	四件套 SETΦ15 FOUR SUIT	套 SET	1	2	4	6	8
5/11	11	900-09-03	6004轴承 6004 BALL BEARING	个 PIECE	1	2	4	6	8
5/12	12	900-09-07	尼龙凸轮Φ15 NYLON CAM	个 PIECE	1	2	4	6	8
5/13	13	900-09-10	小连杆 SMALL ROD CONNECTING	个 PIECE	1	2	4	6	8
5/14	14	900-09-11	一号销 NO.1 PIN	根 BAR	1	2	4	6	8
5/15	15	900-09-15	一眼挡圈 ONE-EYE STOPPER RING	个 PIECE	2	4	8	12	16
5/16	16	900-16-43	内紧定螺丝M4*4 SCREW	颗 GRAIN	4	8	16	24	32
5/17	17	900-09-12	二号销 NO.2 PIN	根 BAR	1	2	4	6	8
5/18	18	197-14-1004	螺帽M6 NUT	个 PIECE	1	2	4	6	8
5/19	19	197-16-2003	弹簧垫片M6 FLEXIBLE WASHER	个 PIECE	1	2	4	6	8
5/20	20	197-16-1004	平垫片M6 PLANT WASHER	个 PIECE	1	2	4	6	8
5/21	21	900-09-21-1	腰形垫片(大) WASHER	个 PIECE	1	2	4	6	8
5/22	22	900-09-21-2	腰形垫片(小) WASHER	个 PIECE	1	2	4	6	8
5/23	23	900-16-05	内六角螺丝M4*6 SCREW	颗 GRAIN	2	4	8	12	16
5/24	24	900-09-23	定位支撑座 SET SUPPORT BASE	套 SET	1	2	4	6	8
5/25	25	900-09-16	驱动器 DRIVER	套 SET	1	2	4	6	8
5/26	26	900-09-17	主动轴 MAIN SHAFT AXIS	根 BAR	1	2	4	6	8
5/27	27	900-09-13	偏心销 NEEDLE BAR DRIVE PIN	根 BAR	1	2	4	6	8
5/28	28	900-09-18-1	挑线杆A THREAD TAKING-UP BAR A	套 SET	1	2	4	6	8
5/29	29	900-09-18-2	挑线杆B THREAD TAKING-UP BAR B	个 PIECE	1	2	4	6	8
5/30	30	900-09-19	挑线杆扇形齿 THREAD TAKING-UP BAR SEGMENT	个 PIECE	1	2	4	6	8
5/31	31	900-16-01	内六角螺丝M3*6 SCREW	颗 GRAIN	2	4	8	12	16
5/32	32	900-16-06	内六角螺丝M4*8 SCREW	颗 GRAIN	1	2	4	6	8
5/33	33	900-09-35-2	6针中导轨 RAIL M,6 NEEDLE	根 BAR	1	2	4	6	8
5/33	33	900-09-36-2	9针中导轨 RAIL M,9 NEEDLE	根 BAR	1	2	4	6	8
5/33	33	900-09-37-2	12针中导轨 RAIL M,12 NEEDLE	根 BAR	1	2	4	6	8
5/34	34	900-16-104	中导轨螺丝 SCREW	颗 GRAIN	2	4	8	12	16
5/35	35	197-17-2016	弹性销Φ3*16 SPRING PIN	根 BAR	2	4	8	12	16
5/36	36	900-09-24	6针滑条 SLIP,6 NEEDLE	根 BAR	1	2	4	6	8
5/36	36	900-09-25	9针滑条 SLIP,9 NEEDLE	根 BAR	1	2	4	6	8
5/36	36	900-09-26	12针滑条 SLIP,12 NEEDLE	根 BAR	1	2	4	6	8
5/37	37	900-09-31	电磁铁罩壳 SOLENOID COVER	套 SET	1	2	4	6	8
5/38	38	900-09-33-1	A板 A PLANT	张 PIECE	1	2	4	6	8
5/39	39	900-09-33-2	B板 B PLANT	张 PIECE	1	2	4	6	8
5/40	40	900-09-30	电磁铁座 SOLENOID BASE	个 PIECE	1	2	4	6	8
5/41	41	900-09-32	跳跃电磁铁 JUMP SOLENOID	套 SET	1	2	4	6	8
5/42	42	900-16-102	短面板螺丝9/64 SCREW	颗 GRAIN	4	8	16	24	32
5/43	43	900-09-27	6针挑线杆导轨(铝) RAIL,TAKING-UP BAR,6 NEEDLE	根 BAR	1	2	4	6	8
5/43	43	900-09-28-1	9针挑线杆导轨(塑) RAIL,TAKING-UP BAR,9 NEEDLE	根 BAR	1	2	4	6	8
5/43	43	900-09-28	9针挑线杆导轨(铝) RAIL,TAKING-UP BAR,9 NEEDLE	根 BAR	1	2	4	6	8
5/43	43	900-09-29	12针挑线杆导轨(铝) RAIL,TAKING-UP BAR,12 NEEDLE	根 BAR	1	2	4	6	8
5/44	44	900-09-33-3	C板 C PLATE	张 PIECE		1	4	6	8
5/45	45	900-16-101	长面板螺丝9/64 SCREW	颗 GRAIN	1	2	4	6	8
5/46	46	900-09-34-2	右挡板 RIGHT STOPPER	个 PIECE	1	2	4	6	8
5/47	47	900-09-34-1	左挡板 LEFT STOPPER	个 PIECE	1	2	4	6	8
5/48	48	900-16-103	半沉头螺丝M4X6 SCREW	颗 GRAIN	2	4	8	12	16
5/49	49	900-12-27-1	吸油毛毡 WICK	个 PIECE	1	2	4	6	8
5/50	50	900-09-14	轴承轴环 BALL BEARING RING	个 PIECE	1	2	4	6	8
5/51	51	900-16-44	内紧定螺丝M4*6 SCREW	颗 GRAIN	2	4	8	12	16
5/52	52	197-16-1002	平垫片M4 PLANT WASHER	个 PIECE	2	4	8	12	16
5/53	53	197-16-9008	弹簧垫片M4 FLEXIBLE WASHER	个 PIECE	2	4	8	12	16
5/54	54	900-16-11	内六角螺丝M4*20 SCREW	颗 GRAIN	2	4	8	12	16
5/55	55	900-16-02	内六角螺丝M3*8 SCREW	颗 GRAIN	4	8	16	24	32
5/56	56	197-16-2001	弹簧垫片M3 FLEXIBLE WASHER	个 PIECE	1	2	4	6	8
5/57	57	197-16-1001	平垫片M3 PLANT WASHER	个 PIECE	1	2	4	6	8
5/58	58	900-16-07	内六角螺丝M4*10 SCREW	颗 GRAIN	2	4	8	12	16
5/59	59	900-16-08	内六角螺丝M4*12 SCREW	颗 GRAIN	2	4	8	12	16
5/60	60	900-16-45	内紧定螺丝M5*6 SCREW	颗 GRAIN	2	4	8	12	16



# BUTTERFLY BRAND MULTI-HEAD TUBULAR EMBROIDERY MACHINE PARTS BOOK

1. BUTTERFLY MULTI-HEAD TUBULAR EMBROIDERY MACHINES, RANGING FROM 3 NEEDLES TO 15 NEEDLES, STANDARD TO CUSTOMIZED EMBROIDERY AREA... IS DEVIDED INTO 23 DIAGRAMS.
2. IN EACH DIAGRAM, ALL PARTS ARE INDICATED WITH A DIGITAL WHICH IS USED TO LOCATE IT IN THE PARTS BOOK.  
(FOR EXAMPLE, DIGRAM 5-MACHINNE HEAD COMPONENTS & PART 25, IT IS 5/25. Press CTRL+F AND INPUT 5/25, THE PART IS LOCATED.)
3. FILL UP THE AFTER-SALES APPLICATION FORM WITH REQUIRED INFORMATION AND SEND IT TO BUTTERFLY. THE APPLICATION FORM COULD BE FOUND RIGHT NEXT TO THE DIAGRAM FORM.

## 6. NEEDLE BAR BASE

部件/序号 COMPONENTS/NO.	序号 NO.	图号 DIAGRAM NO.	名称 NAME	单位 UNIT	用量 CONSUMPTION				
					901-C	902-C	904-C	906-C	908-C
6/1	1	900-12-04-2	6针针杆架 (1、2头) NEEDLE BAR STAND,6 NEEDLE	个 PIECE	1	2			
6/1	1	900-12-04-1	9针针杆架 (1、2头) NEEDLE BAR STAND,9 NEEDLE	个 PIECE	1	2			
6/1	1	900-12-06-1	12针针杆架 (1、2头) NEEDLE BAR STAND,12 NEEDLE	个 PIECE	1	2			
6/1	1	900-12-04	6针针杆架 NEEDLE BAR STAND,6 NEEDLE	个 PIECE			4	6	8
6/1	1	900-12-05	9针针杆架 NEEDLE BAR STAND,9 NEEDLE	个 PIECE			4	6	8
6/1	1	900-12-06	12针针杆架 NEEDLE BAR STAND,12 NEEDLE	个 PIECE			4	6	8
6/2	2	900-12-01	6针挑线杆轴 TAKING-UP AXIS,6 NEEDLE	根 BAR	1	2	4	6	8
6/2	2	900-12-02	9针挑线杆轴 TAKING-UP AXIS,9 NEEDLE	根 BAR	1	2	4	6	8
6/2	2	900-12-03	12针挑线杆轴 TAKING-UP AXIS,12 NEEDLE	根 BAR	1	2	4	6	8
6/3	3	900-12-07	挑线片 TAKING-UP PIN	个 PIECE	9	18	36	54	72
6/4	4	900-12-08	挑线杆齿轮 (圆) TAKING-UP BAR GEAR	个 PIECE	9	18	36	54	72
6/5	5	900-12-09-1	右轴套 SET RIGHT BALL BEARING	个 PIECE	1	2	4	6	8
6/6	6	900-12-09-2	左轴套 SET LEFT BALL BEARING	个 PIECE	1	2	4	6	8
6/7	7	900-09-35-1	6针上导轨 OVER RAIL,6 NEEDLE	根 BAR	1	2	4	6	8
6/7	7	900-09-36-1	9针上导轨 OVER RAIL,9 NEEDLE	根 BAR	1	2	4	6	8
6/7	7	900-09-37-1	12针上导轨 OVER RAIL,12 NEEDLE	根 BAR	1	2	4	6	8
6/8	8	900-12-42	瓜子片 MELON SEEDS PIN	个 PIECE	2	4	8	12	16
6/9	9	900-16-02	内六角螺丝M3*8 SCREW	颗 GRAIN	63	126	232	348	464
6/10	10	900-12-30	6针导向滚子座 GUIDE ROLLER BASE,6 NEEDLE	个 PIECE	1	2	4	6	8
6/10	10	900-12-31	9针导向滚子座 GUIDE ROLLER BASE,9 NEEDLE	个 PIECE	1	2	4	6	8
6/10	10	900-12-32	12针导向滚子座 GUIDE ROLLER BASE,12 NEEDLE	个 PIECE	1	2	4	6	8
6/11	11	197-105-0114	684轴承 684 BALL BEARING	个 PIECE	2	4	8	12	16
6/12	12	197-15-1003	卡簧Φ4 CLIP SPRING Φ4	个 PIECE	2	4	8	12	16
6/13	13	900-09-35-3	6针上导轨 OVER RAIL,6 NEEDLE	根 BAR	1	2	4	6	8
6/13	13	900-09-36-3	9针上导轨 OVER RAIL,9 NEEDLE	根 BAR	1	2	4	6	8
6/13	13	900-09-37-3	12针上导轨 OVER RAIL,12 NEEDLE	根 BAR	1	2	4	6	8
6/14	14	900-12-10	6针针杆导向板 NEEDLE BAR GUIDE RAIL,6 NEEDLE	张 PIECE	1	2	4	6	8
6/14	14	900-12-11	9针针杆导向板 NEEDLE BAR GUIDE RAIL,9 NEEDLE	张 PIECE	1	2	4	6	8
6/14	14	900-12-12	12针针杆导向板 NEEDLE BAR GUIDE RAIL,12 NEEDLE	张 PIECE	1	2	4	6	8
6/15	15	900-16-101	长面板螺丝9/64 SCREW	颗 GRAIN	6	12	24	36	48
6/16	16	900-12-33	门吸 DOOR STOPPER	个 PIECE		2	6	10	14
6/17	17	900-16-01	内六角螺丝M3*6 SCREW	颗 GRAIN	4	8	16	24	32
6/18	18	900-20-06	盖板支撑 COVER SUPPORT	个 PIECE	2	2	2	2	2
6/19	19	900-16-104	螺丝 SCREW	颗 GRAIN	2	4	8	12	16
6/20	20	900-12-13	针杆45#钢 NEEDLE BAR	根 BAR	9	18	36	54	72
6/20	20	900-12-13-1	针杆20#钢 (备选) NEEDLE BAR	根 BAR	9	18	36	54	72
6/21	21	900-12-15	针杆上弹簧 SPRING	根 BAR	9	18	36	54	72
6/22	22	197-16-1004	平垫片M6 PLANT WASHER	个 PIECE	9	18	36	54	72
6/23	23	900-12-22-1	6针牛筋垫0.5*6 COWHELLS WASHER,6 NEEDLE	根 BAR	4	8	16	24	32
6/23	23	900-12-24	9针牛筋垫1*9 COWHELLS WASHER,9 NEEDLE	根 BAR	4	8	16	24	32
6/24	24	900-12-28	羊毛垫1*9 WICK	根 BAR	1	2	4	6	8
6/25	25	900-16-20	内六角螺丝M5*20 SCREW	颗 GRAIN	4	8	16	24	32
6/26	26	900-12-14-1	上死点 UPPER DEAD POINT	个 PIECE	9	18	36	54	72
6/27	27	900-16-06	内六角螺丝M4*8 SCREW	颗 GRAIN	18	36	72	108	144
6/28	28	900-12-14-2	下死点 LOWER DEAD POINT	个 PIECE	9	18	36	54	72
6/29	29	900-12-16	针杆上弹簧 SPRING	根 BAR	9	18	36	54	72
6/30	30	900-12-17	不锈钢压脚 STAINLESS STEEL PRESSER	个 PIECE	9	18	36	54	72
6/31	31	900-12-18	O型圈 O GASKET	个 PIECE	18	36	72	108	144
6/32	32	900-12-19	针夹配螺丝 SCREW	颗 GRAIN	9	18	36	54	72
6/33	33	900-12-29	羊毛垫2*9 WICK	根 BAR	1	2	4	6	8
6/34	34	900-12-20	6针麻垫 GRUMMET,6 NEEDLE	根 BAR	3	6	12	18	24
6/34	34	900-12-21	9针麻垫 GRUMMET,9 NEEDLE	根 BAR	3	6	12	18	24
6/35	35	900-12-35	6针上面板 OVER FACE PLATE,6 NEEDLE	张 PIECE	1	2	4	6	8
6/35	35	900-12-36	9针上面板 OVER FACE PLATE,9 NEEDLE	张 PIECE	1	2	4	6	8
6/35	35	900-12-37	12针上面板 OVER FACE PLATE,12 NEEDLE	张 PIECE	1	2	4	6	8
6/36	36	900-11-08	9针中过线 MIDDLE TENSION,6 NEEDLE	根 BAR	1	2	4	6	8
6/36	36	900-11-07	6针中过线 MIDDLE TENSION,9 NEEDLE	根 BAR	1	2	4	6	8
6/36	36	900-11-09	12针中过线 MIDDLE TENSION,12 NEEDLE	根 BAR	1	2	4	6	8
6/37	37	900-16-102	短面板螺丝9/64 SCREW	颗 GRAIN	4	8	16	24	32
6/38	38	900-12-38	6针下面板 LOWER FACE PLATE,6 NEEDLE	张 PIECE	1	2	4	6	8
6/38	38	900-12-39	9针下面板 LOWER FACE PLATE,9 NEEDLE	张 PIECE	1	2	4	6	8
6/38	38	900-12-40	12针下面板 LOWER FACE PLATE,12 NEEDLE	张 PIECE	1	2	4	6	8
6/39	39	900-11-10	6针下过线 LOWER TENSION,6 NEEDLE	根 BAR	1	2	4	6	8
6/39	39	900-11-11	9针下过线 LOWER TENSION,9 NEEDLE	根 BAR	1	2	4	6	8
6/39	39	900-11-12	12针下过线 LOWER TENSION,12 NEEDLE	根 BAR	1	2	4	6	8
6/40	40	900-16-103	下过线螺丝 SCREW	颗 GRAIN	2	4	8	12	16
6/41	41	197-16-0262	十字圆头螺丝4*6 SCREW	颗 GRAIN	2	4	8	12	16
6/42	42	900-20-07	上罩壳(左) OVER COVER(LEFT)	个 PIECE	1	1	1	1	1
6/43	43	900-20-08	上罩壳A OVER COVER A	个 PIECE			2	4	6
6/44	44	900-20-09	上罩壳B OVER COVER B	个 PIECE		1	1	1	1
6/45	45	900-20-10	上罩壳(右) OVER COVER(RIGHT)	个 PIECE	1	1	1	1	1
6/46	46	197-106-0206	十字圆头螺丝5*10 SCREW	颗 GRAIN	4	4	4	4	4
6/47	47	900-05-01	6针面线夹 FACE CORD CLIP,6 NEEDLE	套 SET	1	2	4	6	8
6/47	47	900-05-02	9针面线夹 FACE CORD CLIP,9 NEEDLE	套 SET	1	2	4	6	8
6/47	47	900-05-03	12针面线夹 FACE CORD CLIP,12 NEEDLE	套 SET	1	2	4	6	8
6/48	48	900-18-02	警告标志 WARNING SIGNS	张 PIECE	1	1	2	2	2
6/49	49	900-12-43-1	左托架 LEFT BRACKET	个 PIECE		2	4	6	8
6/50	50	900-12-43-2	右托架 RIGHT BRACKET	个 PIECE		2	4	6	8
6/51	51	900-16-09	内六角螺丝M4*16 SCREW	颗 GRAIN	4	8	16	24	32
6/52	52	900-12-41	机针#11 NEEDLE	根 BAR	9	18	36	54	72



# BUTTERFLY BRAND MULTI-HEAD TUBULAR EMBROIDERY MACHINE PARTS BOOK

1. BUTTERFLY MULTI-HEAD TUBULAR EMBROIDERY MACHINES, RANGING FROM 3 NEEDLES TO 15 NEEDLES, STANDARD TO CUSTOMIZED EMBROIDERY AREA... IS DEVIDED INTO 23 DIAGRAMS.
2. IN EACH DIAGRAM, ALL PARTS ARE INDICATED WITH A DIGITAL WHICH IS USED TO LOCATE IT IN THE PARTS BOOK.  
(FOR EXAMPLE, DIGRAM 5-MACHINNE HEAD COMPONENTS & PART 25, IT IS 5/25. Press CTRL+F AND INPUT 5/25, THE PART IS LOCATED.)
3. FILL UP THE AFTER-SALES APPLICATION FORM WITH REQUIRED INFORMATION AND SEND IT TO BUTTERFLY. THE APPLICATION FORM COULD BE FOUND RIGHT NEXT TO THE DIAGRAM FORM.

## 7. HOOK CASE COMPONENTS

部件/序号 COMPONENTS/NO.	序号 NO.	图号 DIAGRAM NO.	名称 NAME	单位 UNIT	用量 CONSUMPTION				
					901-C	902-C	904-C	906-C	908-C
					7/1	1	922-01-01	旋梭箱 ROTARY HOOK BASE	个 PIECE
7/2	2	922-01-03	二眼挡圈 TWO-EYES DIA COLLAR	个 PIECE	2	4	8	12	16
7/3	3	900-16-43	内六角紧定螺丝M4*4 SCREW	颗 GRAIN	4	8	16	24	32
7/4	4	922-01-21	旋梭箱后套 SET ROTARY HOOK BACK BALL BEARING	个 PIECE	1	2	4	6	8
7/5	5	922-01-10	剪线曲柄销组件 THREAD TRIMMING LEVER PIN ASM	套 SET	1	2	4	6	8
7/6	6	197-14-1002	螺母M4 NUT	颗 GRAIN	1	2	4	6	8
7/7	7	922-01-06	铜套 SET COPPER BUSH	个 PIECE	2	4	8	12	16
7/8	8	922-01-28	旋梭箱螺丝 SCREW	颗 GRAIN	3	6	12	18	24
7/9	9	197-14-1006	螺母M10 NUT	颗 GRAIN	6	12	24	36	48
7/10	10	197-16-1006	平垫片M10 PLANT WASHER	个 PIECE	6	12	24	36	48
7/11	11	922-01-26	旋梭箱盖板 ROTARY HOOK COVER	张 PIECE	1	2	4	6	8
7/12	12	900-16-103	螺丝 SCREW	颗 GRAIN	2	4	8	12	16
7/13	13	922-01-07	大小伞齿轮 SPIRAL BEVEL GEAR	套 SET	1	2	4	6	8
7/14	14	922-01-04	滚针轴承 BALL BEARING	个 PIECE	1	2	4	6	8
7/15	15	922-01-05	轴套 SET BALL BEARING	个 PIECE	1	2	4	6	8
7/16	16	900-16-49	内紧定螺丝M6*6 SCREW	颗 GRAIN	6	12	24	36	48
7/17	17	922-01-19	剪线拉杆 CUT THREAD DRAW BAR	根 BAR	1	2	4	6	8
7/18	18	922-01-32	固定刀 SCREW	个 PIECE	1	2	4	6	8
7/19	19	900-16-114	十字圆头M3*6 FIXED KNIFE	颗 GRAIN	3	6	12	18	24
7/20	20	922-01-33	弹片 SPRING PIN	个 PIECE	1	2	4	6	8
7/21	21	900-16-102	短面板螺丝 SCREW	颗 GRAIN	3	6	12	18	24
7/22	22	900-16-107	平头十字M3*4 SCREW	颗 GRAIN	1	2	4	6	8
7/23	23	922-01-31	活动刀 MOVABLE KNIFE	个 PIECE	1	2	4	6	8
7/24	24	922-01-18	动刀驱动杆 MOVABLE KNIFE DRIVER BAR	个 PIECE	1	2	4	6	8
7/25	25	922-01-17	刀架/针板座 NEEDLE PLATE BASE	个 PIECE	1	2	4	6	8
7/26	26	922-01-24	针板(高)(帽绣) NEEDLE PLATE	张 PIECE	1	2	4	6	8
7/26	26	922-01-25	针板(低)(平绣或成衣绣) NEEDLE PLATE	张 PIECE	1	2	4	6	8
7/27	27	900-16-105	针板螺丝 SCREW	颗 GRAIN	2	4	8	12	16
7/28	28	900-16-104	螺丝 SCREW	颗 GRAIN	2	4	8	12	16
7/29	29	922-04-69	定位挡片 SET STOPPER PIN	个 PIECE	1	2	4	6	8
7/30	30	900-16-76	十字圆头螺丝2.5*4 SCREW	颗 GRAIN	1	2	4	6	8
7/31	31	197-17-2016	弹性销3*16 SPRING PIN	根 BAR	2	4	8	12	16
7/32	32	922-01-23	旋梭定位勾 POSITIONING FINGER	个 PIECE	1	2	4	6	8
7/33	33	900-16-101	长面板螺丝9/64 SCREW	颗 GRAIN	2	4	8	12	16
7/34	34	900-16-16	内六角螺丝M5*8 SCREW	颗 GRAIN	4	8	16	24	32
7/35	35	922-01-13	扣线销 PICKER PIN	个 PIECE	1	2	4	6	8
7/36	36	922-01-02	旋梭轴 HOOK AXIS	根 BAR	1	2	4	6	8
7/37	37	922-01-22	旋梭箱前套 SET FRONT ROTARY HOOK BOX SET	个 PIECE	1	2	4	6	8
7/38	38	900-03-13	旋梭组件(广濑) HOOK ASM	套 SET	1	2	4	6	8
7/38	38	900-03-13-1	旋梭组件(佐文)(选用) HOOK ASM	套 SET	1	2	4	6	8
7/39	39	900-03-12	梭芯 BOBBIN	个 PIECE	1	2	4	6	8
7/40	40	900-03-11	梭壳 BOBBIN CASE	个 PIECE	1	2	4	6	8
7/41	41	900-16-01	内六角M3*6 HEXAGONAL SOCKET	颗 GRAIN	2	4	8	12	16
7/42	42	197-16-1001	平垫片M3 PLANT WASHER	个 PIECE	2	4	8	12	16
7/43	43	922-01-15	扣线叉 PICKER FORK	个 PIECE	1	2	4	6	8
7/44	44	900-16-42	内紧定螺丝M3*5 SCREW	颗 GRAIN	2	4	8	12	16
7/45	45	922-01-20-1	大头销 BIG PIN	个 PIECE	1	2	4	6	8
7/46	46	922-01-20-2	小头销 SMALL PIN	个 PIECE	1	2	4	6	8
7/47	47	922-01-14	拾料叉 PLATFORM FORK	个 PIECE	1	2	4	6	8
7/48	48	922-01-12	拾料座销 PLATFORM BASE PIN	个 PIECE	1	2	4	6	8
7/49	49	922-07-05	开口卡簧Φ3 CLIP SPRING	个 PIECE	1	2	4	6	8
7/50	50	900-16-02	内六角螺丝M3*8 SCREW	颗 GRAIN	2	4	8	12	16
7/51	51	922-01-16	扣线挡块 PICKER STOPPER	个 PIECE	1	2	4	6	8
7/52	52	922-01-11	扣线叉座 PICKER BASE	个 PIECE	1	2	4	6	8
7/53	53	922-01-37	防护罩 PROTECTIVE COVER	个 PIECE	1	2	4	6	8
7/54	54	922-01-36	扣线拉杆 PICKER DRAW BAR	个 PIECE	1	2	4	6	8
7/55	55	900-12-18	O形圈 O GASKET	个 PIECE	1	2	4	6	8
7/56	56	922-07-06	Φ6卡簧 Φ6 CLIP SPRING	个 PIECE	1	2	4	6	8
7/57	57	900-12-16	弹簧 SPRING	个 PIECE	1	2	4	6	8
7/58	58	922-01-29	扣线电磁铁 PICKER SOLENOID	套 SET	1	2	4	6	8
7/59	59	900-16-115	十字圆头螺丝M3*4 SCREW	颗 GRAIN	2	4	8	12	16
7/60	60	922-01-08	扣线电磁铁安装板 PICKER SOLENOID SET PLATE	个 PIECE	1	2	4	6	8
7/61	61	900-16-06	内六角螺丝M4*8 SCREW	颗 GRAIN	2	4	8	12	16
7/62	62	197-16-1002	平垫片M4 PLANT WASHER	个 PIECE	2	4	8	12	16
7/63	63	922-01-09	扣线电磁铁复位安装板 PICKER SOLENOID RESET INSTALLATION PLATE	个 PIECE	1	2	4	6	8
7/64	64	900-16-107	平头十字螺丝M3*4 SCREW	颗 GRAIN	2	4	8	12	16
7/65	65	197-16-2005	弹簧垫片M10 FLEXIBLE WASHER	个 PIECE	3	6	12	18	24





# BUTTERFLY BRAND MULTI-HEAD TUBULAR EMBROIDERY MACHINE PARTS BOOK

1. BUTTERFLY MULTI-HEAD TUBULAR EMBROIDERY MACHINES, RANGING FROM 3 NEEDLES TO 15 NEEDLES, STANDARD TO CUSTOMIZED EMBROIDERY AREA... IS DEVIDED INTO 23 DIAGRAMS.
2. IN EACH DIAGRAM, ALL PARTS ARE INDICATED WITH A DIGITAL WHICH IS USED TO LOCATE IT IN THE PARTS BOOK.  
(FOR EXAMPLE, DIGRAM 5-MACHIHNE HEAD COMPONENTS & PART 25, IT IS 5/25. Press CTRL+F AND INPUT 5/25, THE PART IS LOCATED.)
3. FILL UP THE AFTER-SALES APPLICATION FORM WITH REQUIRED INFORMATION AND SEND IT TO BUTTERFLY. THE APPLICATION FORM COULD BE FOUND RIGHT NEXT TO THE DIAGRAM FORM.

8. COLOR-CHANGE BOX (TWO HEADS)					用量 CONSUMPTION				
部件/序号 COMPONENTS/NO.	序号 O.	图号 DIAGRAM NO.	名称 NAME	单位 UNIT	901-C	902-C	904-C	906-C	908-C
8/1	1	922-06-05	换色电机座 COLOR CHANGE MOTOR BASE	个 PIECE	1	1			
8/2	2	197-16-9011	弹簧垫片 M5 FLEXIBLE WASHER	个 PIECE	6	6			
8/3	3	900-16-17	内六角螺丝 M5*10 SCREW	颗 GRAIN	2	2			
8/4	4	197-16-2001	弹簧垫片 M3 FLEXIBLE WASHER	个 PIECE	4	4			
8/5	5	197-16-1001	平垫片 M3 PLANT WASHER	个 PIECE	4	4			
8/6	6	900-16-03	内六角螺丝 M3*10 SCREW	颗 GRAIN	4	4			
8/7	7	922-06-09	换色手柄 COLOR CHANGE HANDLE	个 PIECE	1	1			
8/8	8	900-16-42	内紧定螺丝 M3*5 SCREW	颗 GRAIN	3	3			
8/9	9	922-06-01	换色电机 COLOR CHANGE MOTOR	套 SET	1	1			
8/10	10	922-06-08	换色凸轮 COLOR CHANGE CAM	个 PIECE	1	1			
8/11	11	900-16-44	内紧定螺丝 M4*6 SCREW	颗 GRAIN	2	2			
8/12	12	922-06-11	换色铜套 SET COLOR CHANGE COPPER BUSH	个 PIECE	2	2			
8/13	13	900-16-19	内六角螺丝 M5*16 SCREW	颗 GRAIN	4	4			
8/14	14	922-06-06	换色支架 COLOR CHANGE SUPPORT	个 PIECE	2	2			
8/15	15	922-16-21	换色电机罩板 COLOR CHANGE MOTOR COVER	张 PIECE	1	1			
8/16	16	197-106-0206	十字圆头螺丝 M4*6 SCREW	颗 GRAIN	2	2			
8/17	17	922-06-07	换色安装板 COLOR CHANGE ASSEMBLY BOARD	张 PIECE	1	1			
8/18	18	900-16-117	十字平头螺丝 M5*20 SCREW	颗 GRAIN	3	3			
8/19	19	197-14-1004	螺母 M6 NUT	颗 GRAIN	2	2			
8/20	20	922-06-12-1	换色板(6针) COLOR-CHANGE PLATE(6 NEEDLES)	个 PIECE	1	1			
8/20	20	922-06-12-2	换色板(9针) COLOR-CHANGE PLATE(9 NEEDLES)	个 PIECE	1	1			
8/20	20	922-06-12-3	换色板(12针) COLOR-CHANGE PLAT(12 NEEDLES)	个 PIECE	1	1			
8/21	21	922-06-14	滚子柱(6针) ROLLER SHAFT,6 NEEDLE	个 PIECE	6	6			
8/21	21	922-06-14	滚子柱(9针) ROLLER SHAFT,9 NEEDLE	个 PIECE	9	9			
8/21	21	922-06-14	滚子柱(12针) ROLLER SHAFT,12 NEEDLE	个 PIECE	12	12			
8/22	22	197-16-9011	弹簧垫片 M5(6针) FLEXIBLE WASHER	个 PIECE	6	6			
8/22	22	197-16-9011	弹簧垫片 M5(9针) FLEXIBLE WASHER	个 PIECE	9	9			
8/22	22	197-16-9011	弹簧垫片 M5(12针) FLEXIBLE WASHER	个 PIECE	12	12			
8/23	23	197-14-1003	螺母 M5(6针) NUT	颗 GRAIN	6	6			
8/23	23	197-14-1003	螺母 M5(9针) NUT	颗 GRAIN	9	9			
8/23	23	197-14-1003	螺母 M5(12针) NUT	颗 GRAIN	12	12			
8/24	24	900-10-01	换色拉杆 COLOR CHANGE	套 SET		1			
8/25	25	922-02-02-02	定位器 LOCATOR		1	1			

9. COLOR-CHANGE BOX (FOUR SIX EIGHT TEN TWELVE FIFTEEN HEADS)					用量 CONSUMPTION				
部件/序号 COMPONENTS/NO.	序号 O.	图号 DIAGRAM NO.	名称 NAME	单位 UNIT	901-C	902-C	904-C	906-C	908-C
9/1	1	900-10-06	6针换色箱 6 NEEDLES COLOR CHANGE BOX	套 SET			1	1	1
9/1	1	900-10-07	9针换色箱 9 NEEDLES COLOR CHANGE BOX	套 SET			1	1	1
9/1	1	900-10-08	12针换色箱 12 NEEDLES COLOR CHANGE BOX	套 SET			1	1	1
9/2	2	900-16-38	内六角螺丝 M8*40 SCREW	颗 GRAIN			4	4	4
9/3	3	197-16-2004	弹簧垫片 M8 FLEXIBLE WASHER	个 PIECE			4	4	4
9/4	4	197-16-1005	平垫片 M8 PLANT WASHER	个 PIECE			4	4	4
9/5	5	900-10-05-1	6针换色箱面板 6 NEEDLES COLOR CHANGE FACE PLATE	张 PIECE			1	1	1
9/5	5	900-10-05-2	9针换色箱面板 9 NEEDLES COLOR CHANGE FACE PLATE	张 PIECE			1	1	1
9/5	5	900-10-05-3	12针换色箱面板 12 NEEDLES COLOR CHANGE FACE PLATE	张 PIECE			1	1	1
9/6	6	197-106-0206	十字圆头螺丝 4*6 SCREW	颗 GRAIN			4	4	4
9/7	7	900-10-03	换色箱内衬(6、9针) COLOR CHANGE LINING	个 PIECE			1	1	1
9/8	8	900-10-04	换色箱盖(6、9针) COLOR CHANGE COVER	个 PIECE			1	1	1
9/9	9	197-106-0206	十字圆头螺丝 4*6(6、9针) SCREW	颗 GRAIN			2	2	2
9/10	10	900-10-09	70(换色)电机 70(COLOR CHANGE)MOTOR	套 SET			1	1	1
9/11	11	900-16-25	内六角螺丝 M5*55 SCREW	颗 GRAIN			4	4	4
9/12	12	197-16-9011	弹簧垫片 M5 FLEXIBLE WASHER	个 PIECE			4	4	4
9/13	13	197-16-1003	平垫片 M5 PLANT WASHER	个 PIECE			4	4	4
9/14	14	900-20-12	换色箱盖(12针) COLOR CHANGE COVER(12 NEEDLES)	个 PIECE			1	1	1
9/15	15	197-106-0206	十字圆头螺丝 5*10(12针) SCREW	颗 GRAIN			2	2	2
9/16	16	900-19-03	换色箱盖支撑(12针) COLOR CHANGE COVER SUPPORT	个 PIECE			1	1	1
9/17	17	900-16-07	内六角螺丝 M4*10(12针) SCREW	颗 GRAIN			2	2	2
9/18	18	900-02-03-4	针位检测板(电脑上配好) NEEDLE POSITION DETECTION PLATE	张 PIECE			1	1	1
9/19	19	900-10-01	换色拉杆 COLOR CHANGE DRAW BAR	套 SET			1	1	1
9/20	20	900-10-02	换色拉杆接头 COLOR CHANGE DRAW BAR JOINT	个 PIECE			1	2	2
9/21	21	197-14-1004	螺帽 M6 NUT	颗 GRAIN			2	2	2



# BUTTERFLY BRAND MULTI-HEAD TUBULAR EMBROIDERY MACHINE PARTS BOOK

1. BUTTERFLY MULTI-HEAD TUBULAR EMBROIDERY MACHINES, RANGING FROM 3 NEEDLES TO 15 NEEDLES, STANDARD TO CUSTOMIZED EMBROIDERY AREA... IS DEVIDED INTO 23 DIAGRAMS.
2. IN EACH DIAGRAM, ALL PARTS ARE INDICATED WITH A DIGITAL WHICH IS USED TO LOCATE IT IN THE PARTS BOOK.  
(FOR EXAMPLE, DIGRAM 5-MACHIHNE HEAD COMPONENTS & PART 25, IT IS 5/25. Press CTRL+F AND INPUT 5/25, THE PART IS LOCATED.)
3. FILL UP THE AFTER-SALES APPLICATION FORM WITH REQUIRED INFORMATION AND SEND IT TO BUTTERFLY. THE APPLICATION FORM COULD BE FOUND RIGHT NEXT TO THE DIAGRAM FORM.

10. THREAD PRE-TENSION ASSEMBLY							用量				
部件/序号 COMPONENTS/NO.	序号 NO.	图号 DIAGRAM NO.	名称 NAME	单位 UNIT	CONSUMPTION						
					901-C	902-C	904-C	906-C	908-C		
10/1	1	900-11-01	6针夹线总成 TENSION ASSEMBLY,6 NEEDLE	套 SET	1	2	4	6	8		
10/1	1	900-11-02	9针夹线总成 TENSION ASSEMBLY,9 NEEDLE	套 SET	1	2	4	6	8		
10/1	1	900-11-03	12针夹线总成 TENSION ASSEMBLY,12 NEEDLE	套 SET	1	2	4	6	8		
10/2	2	900-11-04	6针上过线 6 NEEDLE UPPER THREAD GUIDE	套 SET	1	2	4	6	8		
10/2	2	900-11-05	9针上过线 9 NEEDLE UPPER THREAD GUIDE	套 SET	1	2	4	6	8		
10/2	2	900-11-06	12针上过线 12 NEEDLE UPPER THREAD GUIDE	套 SET	1	2	4	6	8		
10/3	3	900-16-107	沉底十字螺丝3*4 SCREW	颗 GRAIN	2	4	8	12	16		
10/4	4	197-13-2061	不锈钢内六角螺丝4*8 SCREW	颗 GRAIN	4	8	32	48	64		
10/4	4	900-16-09	内六角螺丝4*16 SCREW	颗 GRAIN	4	8					
10/5	5	900-07-09-1	夹线器支承座(左)(1、2头) TENSION SUPPORT BASE(LEFT)	个 PIECE	1	2					
10/5	5	900-11-20	夹线器支承座(左) TENSION SUPPORT BASE(LEFT)	个 PIECE			4	6	8		
10/6	6	900-07-09-2	夹线器支承座(右)(1、2头) TENSION SUPPORT BASE(RIGHT)	个 PIECE	1	2					
10/6	6	900-11-21	夹线器支承座(右) TENSION SUPPORT BASE(RIGHT)	个 PIECE			4	6	8		
10/7	7	900-11-14-1	6针夹线总成A板 TENSION ASSEMBLY A PLATE,6 NEEDLE	个 PIECE			4	6	8		
10/7	7	900-11-15-1	9针夹线总成A板 TENSION ASSEMBLY A PLATE,9 NEEDLE	个 PIECE			4	6	8		
10/7	7	900-11-16-1	12针夹线总成A板 TENSION ASSEMBLY A PLATE,12 NEEDLE	个 PIECE			4	6	8		
10/8	8	900-11-14-2	6针夹线总成B板 TENSION ASSEMBLY B PLATE,6 NEEDLE	个 PIECE			4	6	8		
10/8	8	900-11-15-2	9针夹线总成B板 TENSION ASSEMBLY B PLATE,9 NEEDLE	个 PIECE			4	6	8		
10/8	8	900-11-16-2	12针夹线总成B板 TENSION ASSEMBLY B PLATE,12 NEEDLE	个 PIECE			4	6	8		
10/9	9	900-16-77	十字平头螺丝4*8 SCREW	颗 GRAIN		4	8	12	16		
10/10	10	900-11-13	夹线总成后盖 TENSION ASSEMBLY BACK COVER	个 PIECE	1	2	4	6	8		
10/11	11	900-16-114	十字圆头螺丝3*6 SCREW	颗 GRAIN	4	8	16	24	32		
10/12	12	900-02-03-5	电脑板配件 COMPUTER PLATE ACCESSORIES	个 PIECE	1	2	4	6	8		

11. TRIMMER COMPONENTS							用量				
部件/序号 COMPONENTS/NO.	序号 NO.	图号 DIAGRAM NO.	名称 NAME	单位 UNIT	CONSUMPTION						
					901-C	902-C	904-C	906-C	908-C		
11/1	1	900-01-11	剪线电磁铁 CUT THREAD SOLENOID	套 SET	1	1	1	1	1		
11/2	2	922-07-07-3	电磁铁固定板(下托架之一) SOLENOID SET BOARD	个 PIECE	1	1	1	1	1		
11/3	3	197-16-9011	弹簧垫片 M5 SPRING WASHER	个 PIECE	2	2	2	2	2		
11/4	4	197-16-1003	平垫片 M5 PLANT WASHER	个 PIECE	6	6	6	6	6		
11/5	5	197-14-1003	螺母 M5 NUT	颗 GRAIN	2	2	2	2	2		
11/6	6	900-16-44	内紧定螺丝 M4*6 SCREW	颗 GRAIN	1	1	1	1	1		
11/7	7	900-01-08	电磁铁缓冲垫 SOLENOID BLOTTER	个 PIECE	1	1	1	1	1		
11/8	8	197-99-1168	尼龙扎带 NYLON RIBBON	根 BAR	2	2	2	2	2		
11/9	9	922-07-07-2	电磁铁托板(下托架之一) SOLENOID PLATE	个 PIECE	1	1	1	1	1		
11/10	10	900-16-30	内六角螺丝 M6*20 SCREW	颗 GRAIN	2	2	2	2	2		
11/11	11	197-16-2003	弹簧垫片 M6 FLEXIBLE WASHER	个 PIECE	2	2	2	2	2		
11/12	12	197-16-1003	平垫片 M6 PLANT WASHER	个 PIECE	2	2	2	2	2		
11/13	13	922-07-07-1	电磁铁支承板(下托架之一) SOLENOID SUPPORT PLATE	个 PIECE	1	1	1	1	1		
11/14	14	900-16-18	内六角螺丝 M5*12 SCREW	颗 GRAIN	4	4	4	4	4		
11/15	15	922-04-64	上托架 OVER BRACKET	个 PIECE	2	2	2	2	2		
11/16	16	900-16-07	内六角螺丝 M4*10 SCREW	颗 GRAIN	10	11	13	15	17		
11/17	17	900-09-15	一眼挡圈 ONE EYE STOPPER RING	个 PIECE	1	1	1	1	1		
11/18	18	922-02-10	Φ25平面挡圈 PLANT STOPPER RING	个 PIECE	1	1	1	1	1		
11/19	19	900-16-45	内紧定螺丝 M5*6 SCREW	颗 GRAIN	2	2	2	2	2		
11/20	20	922-02-12	剪线凸轮衬套 SET CUT THREAD CAM LINING	个 PIECE	1	1	1	1	1		
11/21	21	922-02-11	剪线凸轮 CUT THREAD CAM	个 PIECE	1	1	1	1	1		
11/22	22	900-16-55	内紧定螺丝 M8*10 SCREW	颗 GRAIN	2	2	2	2	2		
11/23	23	922-02-03	剪线传动连杆 CUT THREAD TRANSMISSION CONNECTING ROD	个 PIECE	1	2	4	6	8		
11/24	24	197-14-1002	螺母 M4 NUT	颗 GRAIN	2	2	2	2	2		
11/25	25	197-16-9008	弹簧垫片 M4 FLEXIBLE WASHER	个 PIECE	2	2	2	2	2		
11/26	26	197-16-1002	平垫片 M4 PLANT WASHER	个 PIECE	2	2	2	2	2		
11/27	27	922-02-14	连杆螺钉 SCREW	颗 GRAIN	1	2	4	6	8		
11/28	28	922-02-06	剪线短拉杆 SHORT CUT THREAD DRAW BAR	根 BAR	1	1	1	1	1		
11/29	29	922-02-07	剪线拉杆螺丝 SCREW	颗 GRAIN	1	2	4	6	8		
11/30	30	922-02-13	剪线连接销 CUT THREAD CONNECT PIN	个 PIECE	1	1	1	1	1		
11/31	31	922-02-08	剪线座5件 CUT THREAD BASE 5PCS	套 SET	1	1	1	1	1		
11/32	32	900-16-77	十字平头螺丝4*8 SCREW	颗 GRAIN	1	1	1	1	1		
11/33	33	922-07-08	磁块 MAGNET	个 PIECE	1	1	1	1	1		
11/34	34	900-12-16	弹簧 SPRING	根 BAR	1	1	1	1	1		
11/35	35	197-14-1004	螺母 M6 NUT	颗 GRAIN	1	1	1	1	1		
11/36	36	197-16-1003	平垫片 M6 PLANT WASHER	个 PIECE	1	1	1	1	1		
11/37	37	900-16-43	内紧定螺丝 M4*4 SCREW	颗 GRAIN	1	1	1	1	1		
11/38	38	922-02-01	剪线箱总成 CUT THREAD BOX ASSEMBLY	套 SET	1	1	1	1	1		
11/39	39	197-16-1005	平垫片 M8 PLANT WASHER	个 PIECE	6	6	6	6	6		
11/40	40	197-16-2004	弹簧垫片 M8 SPRING WASHER	个 PIECE	3	3	3	3	3		
11/41	41	900-16-35	内六角螺丝 M8*25 SCREW	颗 GRAIN	3	3	3	3	3		
11/42	42	922-02-05	剪线长拉杆 CUT THREAD LONG DRAW BAR	根 BAR		1					
11/42	42	922-07-09	剪线长拉杆 CUT THREAD LONG DRAW BAR	根 BAR			1				
11/42	42	922-02-04	剪线长拉杆 CUT THREAD LONG DRAW BAR	根 BAR				1			
11/42	42	922-07-10	剪线长拉杆 CUT THREAD LONG DRAW BAR	根 BAR					1		



# BUTTERFLY BRAND MULTI-HEAD TUBULAR EMBROIDERY MACHINE PARTS BOOK

1. BUTTERFLY MULTI-HEAD TUBULAR EMBROIDERY MACHINES, RANGING FROM 3 NEEDLES TO 15 NEEDLES, STANDARD TO CUSTOMIZED EMBROIDERY AREA... IS DEVIDED INTO 23 DIAGRAMS.
2. IN EACH DIAGRAM, ALL PARTS ARE INDICATED WITH A DIGITAL WHICH IS USED TO LOCATE IT IN THE PARTS BOOK.  
(FOR EXAMPLE, DIGRAM 5-MACHINNE HEAD COMPONENTS & PART 25, IT IS 5/25. Press CTRL+F AND INPUT 5/25, THE PART IS LOCATED.)
3. FILL UP THE AFTER-SALES APPLICATION FORM WITH REQUIRED INFORMATION AND SEND IT TO BUTTERFLY. THE APPLICATION FORM COULD BE FOUND RIGHT NEXT TO THE DIAGRAM FORM.

11/43	43	900-03-17-7	下轴Φ15 LOWER AXIS	套 SET	1	1	1	1	1
11/44	44	922-03-21	高底箱 HIGH BASEBOX	套 SET	1	1			
11/45	45	922-07-11	皮带5M-180 BELT	根 BAR	1	1			
11/46	46	922-04-13	皮带轮16齿Φ15长30 BELT WHEEL	个 PIECE	2	2			
11/47	47	900-16-49	内紧定螺丝M6*6 SCREW	颗 GRAIN	4	4			
11/48	48	900-03-03	6003轴套 SET 6003 BALL BEARING	个 PIECE	2	2			
11/49	49	900-16-45	内紧定螺丝M5*6 SCREW	颗 GRAIN	4	4			
11/50	50	900-03-02	6003轴套 SET 6003 BALL BEARING	个 PIECE	2	2			
11/51	51	900-03-17-8	传动轴Φ15 TRANSMITION AXIS	根 BAR	1	1			
11/52	52	922-11-01	轴套 SET (上) BALL BEARING(UP)	个 PIECE	1	1	1	1	1
11/53	53	922-11-02	轴套 SET (下) BALL BEARING(DOWN)	个 PIECE	1	1	1	1	1

## 12. DRIVER COMPONENTS

部件/序号 COMPONENTS TS/NO.	序号 NO.	图号 DIAGRAM NO.	名称 NAME	单位 UNIT	用量 CONSUMPTION				
					901-C	902-C	904-C	906-C	908-C
12/1	1	900-16-45	内紧定螺丝M5*6 SCREW	颗 GRAIN			12	12	12
12/2	2	900-03-03	6003轴套 SETΦ15 6003 BALL BEARING Φ15	个 PIECE			1	1	1
12/3	3	900-03-02	6003轴承 6003 BALL BEARING	个 PIECE			1	1	1
12/4	4	922-04-68	支撑座 SUPPORT BASE	个 PIECE			1	1	1
12/5	5	922-04-45	皮带轮16齿Φ15长50 BELT WHEEL	个 PIECE			2	2	2
12/6	6	900-16-30	内六角螺丝M6*20 SCREW	颗 GRAIN			11	11	11
12/7	7	197-16-2003	弹簧垫片M6 SPRING WASHER	个 PIECE			11	11	11
12/8	8	922-03-04	直角涨紧轮 RIGHT-ANGLE TENSION BEARING WHEEL	套 SET			1	1	1
12/9	9	922-03-05	皮带530-30宽 BELT	根 BAR			1	1	1
12/10	10	197-16-1005	平垫片M8 PLANT WASHER	个 PIECE			2	2	2
12/11	11	900-13-13	6004轴套 SETΦ15 6004 BALL BEARING Φ15	个 PIECE			3	3	3
12/12	12	900-09-03	6004轴承 6003 BALL BEARING	个 PIECE			3	3	3
12/13	13	900-09-02	卡簧 CLIP SPRING	个 PIECE			3	3	3
12/14	14	922-03-02	后轴轴承座 BACK AXIS BALL BEARING BASE	个 PIECE			3	3	3
12/15	15	197-16-1003	平垫片M6 PLANT WASHER	个 PIECE			6	6	6
12/16	16	900-03-17-9	传动轴Φ15 TRANSMITION AXIS	根 BAR			1	1	1
12/17	17	900-03-17-10	下轴Φ15 DOWN AXIS	套 SET			1	1	1
12/18	18	900-16-53	内紧定螺丝M8*6 SCREW	颗 GRAIN			8	8	16
12/19	19	900-03-19	连接套 SETΦ15 CONNECTING SET	个 PIECE			1	1	2

## 13. X-AXIS DRIVER SYSTEM (TWO HEADS)

部件/序号 COMPONENTS TS/NO.	序号 NO.	图号 DIAGRAM NO.	名称 NAME	单位 UNIT	用量 CONSUMPTION				
					901-C	902-C	904-C	906-C	908-C
13/1	1	922-15-21	X向驱动座 X AXIS DRIVER BASE	根 BAR	1	1			
13/2	2	900-16-111	十字平头螺钉5*12 SCREW	颗 GRAIN	4	6			
13/3	3	911-07-08	(X向驱动座两端)六角螺母(特殊) NUT	颗 GRAIN	10	14			
13/4	4	922-04-52	57电机安装板 MOTOR SET BOARD	个 PIECE	1	2			
13/5	5	922-04-58	倒柱 POUR COLUMN	个 PIECE	3	6			
13/6	6	922-04-51	57电机座 MOTOR BASE	个 PIECE	1	2			
13/7	7	197-16-1003	平垫片M5 PLANT WASHER	个 PIECE	10	12			
13/8	8	900-16-118	内六角螺丝M5*35 SCREW	颗 GRAIN	3	6			
13/9	9	197-16-1002	平垫片M4 PLANT WASHER	个 PIECE	24	40			
13/10	10	197-16-9008	弹簧垫片M4 FLEXIBLE WASHER	个 PIECE	10	20			
13/11	11	900-16-07	内六角螺丝M4*10 SCREW	颗 GRAIN	6	8			
13/12	12	922-16-22	X向驱动座盖板 X AXIS DRIVER BASE COVER	个 PIECE	1	1			
13/13	13	922-04-42	57电机 (Φ8) 57 MOTOR (Φ8)	套 SET	1	2			
13/14	14	922-07-12	5M*16齿Φ8长22主动皮带轮 MAIN SHAFT BELT WHEEL	个 PIECE	1	2			
13/15	15	900-16-44	内紧定螺丝M4*6 SCREW	颗 GRAIN	2	4			
13/16	16	900-16-18	内六角螺丝M5*12 SCREW	颗 GRAIN	6	6			
13/17	17	197-16-9011	弹簧垫片M5 FLEXIBLE WASHER	个 PIECE	6	6			
13/18	18	922-04-40	X向驱动导轨 L=900 X AXIS DRIVER RAIL	根 BAR	1	1			
13/19	19	900-16-02	内六角螺丝M3*8 SCREW	颗 GRAIN	25	25			
13/20	20	922-04-32-1	HTDM5-15皮带 BELT	根 BAR	1	1			
13/21	21	922-04-56-1	同步连接块(左) TIMING CONNECTING BLOCK(LEFT)	个 PIECE	1	1			
13/22	22	922-04-56-2	同步连接块(右) TIMING CONNECTING BLOCK(RIGHT)	个 PIECE	1	1			
13/23	23	922-04-57	齿形板 GEAR PLATE	个 PIECE	2	2			
13/24	24	197-16-1001	平垫片M3 PLANT WASHER	个 PIECE	16	16			
13/25	25	900-16-04	内六角螺丝M3*12 SCREW	颗 GRAIN	8	8			
13/26	26	900-16-14	内六角螺丝M4*50 SCREW	颗 GRAIN	1	1			
13/27	27	900-16-08	内六角螺丝M4*12 SCREW	颗 GRAIN	18	32			
13/28	28	922-04-43-5	皮带连接座板 BELT CONNECTING BASE PLATE	个 PIECE	1				
13/29	29	922-04-43-6	皮带连接座板 BELT CONNECTING BASE PLATE	个 PIECE		1			
13/30	30	922-04-44-1	框架连接板 FRAME CONNECTING PLATE	个 PIECE	1				
13/31	31	922-04-44-2	框架连接板 FRAME CONNECTING PLATE	个 PIECE		2			
13/32	32	922-04-36-1	机架连接板(铝) (1、2头) STAND CONNECTING PLATE	根 BAR	1				
13/33	33	922-04-36	机架连接板(铝) (4、6、8) STAND CONNECTING PLATE	根 BAR		1			
13/34	34	922-04-73-1	绷架左支架 LEFT STRETCH FRAME SUPPORT	套 SET	1	2			
13/35	35	922-04-73-2	绷架右支架 RIGHT STRETCH FRAME SUPPORT	套 SET	1	2			
13/36	36	197-106-0206	十字圆头螺丝M5*10 SCREW	颗 GRAIN	?	?			
13/37	37	922-04-54	被动带轮压板 BELT WHEEL PRESS PLATE	个 PIECE	1				
13/38	38	922-07-16	滚针轴承内径10外径16高度10 BALL BEARING	个 PIECE	2				
13/39	39	922-07-13	5M*16齿Φ16被动皮带轮 BELT WHEEL	个 PIECE	1				
13/40	40	922-04-53	被动轴 WHEEL AXIS	个 PIECE	1				
13/41	41	900-16-19	内六角螺丝M5*16 SCREW	颗 GRAIN	1				



# BUTTERFLY BRAND MULTI-HEAD TUBULAR EMBROIDERY MACHINE PARTS BOOK

1. BUTTERFLY MULTI-HEAD TUBULAR EMBROIDERY MACHINES, RANGING FROM 3 NEEDLES TO 15 NEEDLES, STANDARD TO CUSTOMIZED EMBROIDERY AREA... IS DEVIDED INTO 23 DIAGRAMS.
2. IN EACH DIAGRAM, ALL PARTS ARE INDICATED WITH A DIGITAL WHICH IS USED TO LOCATE IT IN THE PARTS BOOK.  
(FOR EXAMPLE, DIGRAM 5-MACHIHNE HEAD COMPONENTS & PART 25, IT IS 5/25. Press CTRL+F AND INPUT 5/25, THE PART IS LOCATED.)
3. FILL UP THE AFTER-SALES APPLICATION FORM WITH REQUIRED INFORMATION AND SEND IT TO BUTTERFLY. THE APPLICATION FORM COULD BE FOUND RIGHT NEXT TO THE DIAGRAM FORM.

## 14. X-AXIS DRIVER SYSTEM (TWO FOUR SIX EIGHT TEN TWELVE FIFTEEN HEADS)

部件/序号 COMPONENTS/NO.	序号 NO.	图号 DIAGRAM NO.	名称 NAME	单位 UNIT	用量 CONSUMPTION				
					901-C	902-C	904-C	906-C	908-C
					14/1	1	922-15-22	X向驱动座 X-AXIS DRIVER BASE	根 BAR
14/2	2	900-16-111	十字平头螺钉5*12 SCREW	颗 GRAIN			8	8	8
14/3	3	911-07-08	(X向驱动座两端)六角螺母(特殊) NUT	颗 GRAIN			20	28	36
14/4	4	922-04-50	90电机安装板 MOTOR INSTALL PLATE	个 PIECE			2	2	2
14/5	5	922-04-58	倒柱 POUR COLUMN	个 PIECE			6	6	6
14/6	6	922-04-49	90电机座 MOTOR BASE	个 PIECE			2	2	2
14/7	7	197-16-1003	平垫片M5 PLANT WASHER	个 PIECE			24	24	24
14/8	8	900-16-118	内六角螺丝M5*35 SCREW	颗 GRAIN			6	6	6
14/9	9	922-04-41	X向驱动电机Φ14 X-AXIS DRIVER MOTOR	套 SET			2	2	2
14/10	10	197-16-9011	弹簧垫片M5 FLEXIBLE WASHER	个 PIECE			14	14	14
14/11	11	900-16-19	内六角螺丝M5*16 SCREW	颗 GRAIN			10	10	10
14/12	12	922-07-14	5M*16齿Φ14主动皮带轮 MAIN SHAFT BELT WHEEL	个 PIECE			2	2	2
14/13	13	900-16-125	内紧定螺丝M5*4 SCREW	颗 GRAIN			4	4	4
14/14	14	922-06-23	X向驱动座盖板 X-AXIS DRIVER BASE COVER	张 PIECE			1	1	1
14/15	15	197-106-0206	十字圆头螺丝M5*10 SCREW	颗 GRAIN					
14/16	16	900-16-17	内六角螺丝M5*10 SCREW	颗 GRAIN			10	10	10
14/17	17	922-04-40	X向驱动导轨 L=900 X-AXIS DRIVER RAIL	根 BAR			2		2
14/17	17	92-04-39	X向驱动导轨 L=1250 X-AXIS DRIVER RAIL	根 BAR				2	1
14/18	18	900-16-02	内六角螺丝M3*8 SCREW	颗 GRAIN			?	?	?
14/19	19	922-04-32-2	HTDM5-15皮带 BELT	根 BAR			2	2	2
14/20	20	922-04-56-1	同步连接块(左) TIMING CONNECTING BLOCK(LEFT)	个 PIECE			2	2	2
14/21	21	922-04-56-2	同步连接块(右) TIMING CONNECTING BLOCK(RIGHT)	个 PIECE			2	2	2
14/22	22	922-04-57	齿形板 GEAR PLATE	个 PIECE			4	4	4
14/23	23	197-16-1001	平垫片M3 PLANT WASHER	个 PIECE			32	40	48
14/24	24	900-16-04	内六角螺丝M3*12 SCREW	颗 GRAIN			16	16	16
14/25	25	900-16-14	内六角螺丝M4*50 SCREW	颗 GRAIN			2	2	2
14/26	26	900-16-08	内六角螺丝M4*12 SCREW	颗 GRAIN			54	92	120
14/27	27	197-16-1002	平垫片M4 PLANT WASHER	个 PIECE			68	96	124
14/28	28	922-04-54	被动带轮压板 BELT WHEEL PRESS PLATE	个 PIECE			2	2	2
14/29	29	922-07-16	滚针轴承内径10外径16高度10 BALL BEARING	个 PIECE			4	4	4
14/30	30	922-07-13	5M*16齿Φ16被动皮带轮 BELT WHEEL	个 PIECE			2	2	2
14/31	31	922-04-53	被动轴 WHEEL AXIS	个 PIECE			2	2	2
14/32	32	900-16-07	内六角螺丝M4*10 SCREW	颗 GRAIN			4	4	4
14/33	33	922-04-43-7	皮带连接座板 BELT CONNECTING BASE PLATE	套 SET			1	1	1
14/34	34	922-04-44-2	框架连接板 FRAME CONNECTING PLATE	根 BAR			4	6	8
14/35	35	922-04-36	机架连接板(铝) STAND CONNECTING PLATE	根 BAR			1	1	1
14/36	36	922-04-73-1	绷架左支架 LEFT STRETCH FRAME SUPPORT	套 SET			4	6	8
14/37	37	922-04-73-2	绷架右支架 RIGHT STRETCH FRAME SUPPORT	套 SET			4	6	8
14/38	38	197-16-9008	弹簧垫片M4 FLEXIBLE WASHER	个 PIECE			24	36	48

## 15. Y-AXIS DRIVER SYSTEM (TWO HEADS)

部件/序号 COMPONENTS/NO.	序号 NO.	图号 DIAGRAM NO.	名称 NAME	单位 UNIT	用量 CONSUMPTION				
					901-C	902-C	904-C	906-C	908-C
					15/1	1	900-03-03	6003轴套 SETΦ15 6003 BALL BEARING Φ15	个 PIECE
15/2	2	900-16-45	内紧定螺丝M5*6 SCREW	颗 GRAIN	8	8			
15/3	3	900-03-02	6003轴承 6003 BALL BEARING	个 PIECE	4	4			
15/4	4	922-04-06	驱动主动带轮座(1-2)大 DRIVER MAIN BELT WHEEL BASE	个 PIECE	2	2			
15/5	5	922-03-34	皮带轮 BELT WHEEL	个 PIECE	2	2			
15/6	6	900-16-50	内紧定螺丝M6*8 SCREW	颗 GRAIN	4	4			
15/7	7	900-03-17-11	驱动轴Φ15 DRIVER AXIS	根 BAR	2	2			
15/8	8	922-04-04	连接套 SETΦ15 CONNECTING SET	个 PIECE	2	2			
15/9	9	900-16-49	内紧定螺丝M6*6 SCREW	颗 GRAIN	12	12			
15/10	10	922-04-70	Y向电机座(1、2头) Y-AXIS MOTOR BASE	个 PIECE	1	1			
15/11	11	922-04-02	86驱动电机Φ9.5 86 DRIVER MOTOR Φ9.5	套 SET	1	1			
15/12	12	900-16-20	内六角螺丝M5*20 SCREW	颗 GRAIN	4	4			
15/13	13	197-16-9011	弹簧垫片M5 FLEXIBLE WASHER	个 PIECE	4	4			
15/14	14	900-16-35	内六角螺丝M8*25 SCREW	颗 GRAIN	12	12			
15/15	15	197-16-2004	弹簧垫片M8 FLEXIBLE WASHER	个 PIECE	20	20			
15/16	16	197-16-1005	平垫片M8 PLANT WASHER	个 PIECE	20	20			
15/17	17	900-16-36	内六角螺丝M8*30 SCREW	颗 GRAIN	8	8			
15/18	18	922-04-09-1	Y向驱动(左) Y-DRIVER(LEFT)	个 PIECE	1	1			
15/19	19	922-04-09-2	Y向驱动(右) Y-DRIVER(RIGHT)	个 PIECE	1	1			
15/20	20	922-04-66	机架支架 FRAME SUPPORT	个 PIECE	2	2			
15/21	21	900-16-119	内六角螺丝M6*55 SCREW	颗 GRAIN	4	4			
15/22	22	922-04-08	驱动被动带轮座(1-2)小 BELT WHEEL BASE	个 PIECE	2	2			
15/23	23	922-07-19-1	驱动被动带轮轴Φ12 BELT WHEEL AXIS	根 BAR	2	2			
15/24	24	900-16-44	内紧定螺丝M4*6 SCREW	颗 GRAIN	4	4			
15/25	25	922-07-17	滚针轴承Φ17*Φ12*12 BALL BEARING	个 PIECE	4	4			
15/26	26	922-04-48	Y向驱动前皮带轮 FRONT BELT WHEEL	个 PIECE	2	2			
15/27	27	900-16-98	膨胀销4*16 INFLATION PIN	个 PIECE	24	24			
15/28	28	900-16-07	内六角螺丝M4*10 SCREW	颗 GRAIN	24	24			
15/29	29	922-04-11	Y向驱动导轨580 Y-AXIS DRIVER RAIL	根 BAR	2	4			
15/30	30	922-07-20	四轮小车 FOUR WHEEL	个 PIECE	2	2			



# BUTTERFLY BRAND MULTI-HEAD TUBULAR EMBROIDERY MACHINE PARTS BOOK

1. BUTTERFLY MULTI-HEAD TUBULAR EMBROIDERY MACHINES, RANGING FROM 3 NEEDLES TO 15 NEEDLES, STANDARD TO CUSTOMIZED EMBROIDERY AREA... IS DEVIDED INTO 23 DIAGRAMS.
2. IN EACH DIAGRAM, ALL PARTS ARE INDICATED WITH A DIGITAL WHICH IS USED TO LOCATE IT IN THE PARTS BOOK.  
(FOR EXAMPLE, DIGRAM 5-MACHIHNE HEAD COMPONENTS & PART 25, IT IS 5/25. Press CTRL+F AND INPUT 5/25, THE PART IS LOCATED.)
3. FILL UP THE AFTER-SALES APPLICATION FORM WITH REQUIRED INFORMATION AND SEND IT TO BUTTERFLY. THE APPLICATION FORM COULD BE FOUND RIGHT NEXT TO THE DIAGRAM FORM.

15/31	31	922-04-60	Y向以驱动压板(左) Y-AXIS DRIVE PRESS PLATE(LEFT)	个 PIECE	1	1			
15/32	32	922-04-60	Y向以驱动压板(右) Y-AXIS DRIVER PRESS PLATE(RIGHT)	个 PIECE	1	1			
15/33	33	900-20-17	挡限位开关板 LIMITATION SWITCH PLATE	个 PIECE	1	1			
15/34	34	197-16-1002	平垫片 M4 PLANT WASHER	个 PIECE	8	8			
15/35	35	900-16-06	内六角螺丝 M4*8 SCREW	颗 GRAIN	2	2			
15/36	36	900-16-08	内六角螺丝 M4*12 SCREW	颗 GRAIN	12	12			
15/37	37	197-16-9008	弹簧垫片 M4 FLEXIBLE WASHER	个 PIECE	6	6			
15/38	38	922-07-21	机架连接带架(1-2头) STAND CONNECTING HOSE RACK	个 PIECE	2	2			
15/39	39	922-04-33-1	皮带 500-20 宽 BELT	根 BAR	2	2			

## 16. Y-AXIS DRIVER SYSTEM (FOUR SIX EIGHT TEN TWELVE FIFTEEN HEADS)

部件/序号 COMPONENTS/NO.	序号 O.	图号 DIAGRAM NO.	名称 NAME	单位 UNIT	用量 CONSUMPTION				
					901-C	902-C	904-C	906-C	908-C
16/1	1	900-03-03	6003轴套 SET 6003 BALL BEARING	个 PIECE			6	6	6
16/2	2	900-16-45	内紧定螺丝 M5*6 SCREW	颗 GRAIN			14	14	14
16/3	3	900-03-02	6003轴承 6003 BALL BEARING	个 PIECE			6	6	6
16/4	4	922-04-05	驱动主动带轮座(大) DRIVER MAIN SHAFT BELT WHEEL BASE	个 PIECE			2	2	2
16/5	5	922-04-45	皮带轮(小) BELT WHEEL	个 PIECE			3	3	3
16/6	6	900-16-49	内紧定螺丝 M6*6 SCREW	颗 GRAIN			6	6	6
16/7	7	900-03-17-12	驱动轴 Φ15 DRIVER AXIS	套 SET			1	1	1
16/8	8	900-09-04	6004轴承座 604 BALL BEARING	个 PIECE			1	1	1
16/9	9	900-09-02	卡簧 CLIP SPRING	个 PIECE			1	1	1
16/10	10	900-09-03	背包上的6004轴承(外径42) BALL BEARING	个 PIECE			1	1	1
16/11	11	922-04-28	皮带 BELT	根 BAR			1	1	1
16/12	12	922-07-15	同步皮带轮(20齿长52) TIMING BELT WHEEL	个 PIECE			2	2	2
16/13	13	900-16-55	内六角螺丝 M8*10 SCREW	颗 GRAIN			4	4	4
16/14	14	900-16-19	内六角螺丝 M5*16 SCREW	颗 GRAIN			3	3	3
16/15	15	900-16-43	内紧定螺丝 M4*4 SCREW	颗 GRAIN			2	2	2
16/16	16	922-04-18	箱体涨紧轮组件 BOX TENSION BEARING WHEEL ASM	套 SET			1	1	1
16/17	17	197-16-2003	弹簧垫片 M6 FLEXIBLE WASHER	个 PIECE			5	5	5
16/18	18	900-16-30	内六角螺丝 M6*20 SCREW	颗 GRAIN			4	4	4
16/19	19	900-16-119	内六角螺丝 M6*55 SCREW	颗 GRAIN			1	1	1
16/20	20	922-04-19	加宽倒挂同步带轮座 TIMING BELT WHEEL BASE	个 PIECE			1	1	1
16/21	21	900-03-17-13	加宽倒挂同步带轮座轴 TIMING BELT WHEEL BASE AXIS	根 BAR			1	1	1
16/22	22	900-03-19	连接套 SET Φ15 CONNECTING SET	个 PIECE			2	2	3
16/23	23	900-16-53	内紧定螺丝 M8*6 SCREW	颗 GRAIN			16	16	24
16/24	24	922-04-71	Y向电机座(4、6、8) Y-AXIS MOTOR BASE	个 PIECE			1	1	1
16/25	25	900-08-01-3	Y步进电机 Y-AXIS BUSH MOTOR	套 SET			1	1	1
16/26	26	197-16-2004	弹簧垫片 M8 SPRING WASHER	个 PIECE			25	25	25
16/27	27	900-16-36	内六角螺丝 M8*30 SCREW	颗 GRAIN			21	21	21
16/28	28	197-16-1005	平垫片 M8 PLANT WASHER	个 PIECE			25	25	25
16/29	29	922-04-10-1	Y向驱动(左) Y-DRIVER(LEFT)	个 PIECE			1	1	1
16/30	30	922-04-10-2	Y向驱动(右) Y-DRIVER(RIGHT)	个 PIECE			1	1	1
16/31	31	900-16-35	内六角螺丝 M8*25 SCREW	颗 GRAIN			4	4	4
16/32	32	922-15-20	支撑 SUPPORT	根 BAR			2	2	2
16/33	33	900-16-11	内六角螺丝 M4*20 SCREW	颗 GRAIN			4	4	4
16/34	34	197-16-9008	弹簧垫片 M4 FLEXIBLE WASHER	个 PIECE			4	4	4
16/35	35	197-16-1002	平垫片 M4 PLANT WASHER	个 PIECE			6	6	6
16/36	36	900-16-119	内六角螺丝 M6*55 SCREW	颗 GRAIN			4	4	4
16/37	37	922-04-07	驱动被动带轮座(大) DRIVER BELT WHEEL BASE	个 PIECE			3	3	3
16/38	38	922-07-19	轴承轴 Φ12 BALL BEARING AXIS	根 BAR			3	3	3
16/39	39	900-16-44	内紧定螺丝 M4*6 SCREW	颗 GRAIN			4	4	4
16/40	40	922-07-18	滚针轴承 Φ16*Φ12*10 BALL BEARING	个 PIECE			6	6	6
16/41	41	922-04-46	Y向驱动前皮带轮 FRONT Y-AXIS DRIVER BELT WHEEL	个 PIECE			3	3	3
16/42	42	900-16-98	膨胀销 4*16 INFLATION PIN	个 PIECE			40	40	40
16/43	43	900-16-07	内六角螺丝 M4*10 SCREW	颗 GRAIN			40	40	40
16/44	44	922-04-12	Y向驱动导轨 650 Y-AXIS DRIVER RAIL	根 BAR			4	4	4
16/45	45	922-04-34-1	皮带 500-30 宽 BELT	根 BAR			2	2	2
16/46	46	922-04-22-1	驱动大车 DRIVER	个 PIECE			2	2	2
16/47	47	922-04-22-2	驱动大车压板 DRIVER PRESS PLATE	个 PIECE			2	2	2
16/48	48	900-16-08	内六角螺丝 M4*12 SCREW	颗 GRAIN			18	18	18
16/49	49	900-20-17	挡限位开关板 LIMITION SWITCH PLATE	个 PIECE			1	1	1
16/50	50	900-16-06	内六角螺丝 M4*8 SCREW	颗 GRAIN			2	2	2
16/51	51	922-04-25-1	倒挂大车 OVERHEAD	个 PIECE			1	1	1
16/52	52	922-04-25-2	倒挂大车压板 OVERHEAD PRESS PLATE	个 PIECE			1	1	1
16/53	53	197-16-1004	平垫片 M6 PLANT WASHER	个 PIECE			2	2	2
16/54	54	922-04-34-2	倒挂驱动皮带 OVERHEAD DRIVER BELT	根 BAR			1	1	1
16/55	55	922-04-11	Y向驱动导轨 580 Y-AXIS DRIVER RAIL	根 BAR			2	2	2
16/56	56	922-04-26	倒挂驱动座 OVERHEAD DRIVER BASE	个 PIECE			1	1	1
16/57	57	900-20-13	步进电机箱盖 BUSH MOTOR COVER	个 PIECE			1	1	1
16/58	58	900-16-108	十字圆头木螺丝 4*16 SCREW	颗 GRAIN			4	4	4
16/59	59	922-04-72-1	倒挂驱动罩壳 OVERHEAD DRIVER COVER	个 PIECE			1	1	1
16/60	60	922-04-72-2	倒挂驱动罩壳 OVERHEAD DRIVER COVER	个 PIECE			1	1	1
16/61	61	922-04-72-3	倒挂驱动罩壳 OVERHEAD DRIVER COVER	个 PIECE			1	1	1
16/62	62	900-16-74	十字圆头螺丝 4*8 SCREW	颗 GRAIN			10	10	10



# BUTTERFLY BRAND MULTI-HEAD TUBULAR EMBROIDERY MACHINE PARTS BOOK

1. BUTTERFLY MULTI-HEAD TUBULAR EMBROIDERY MACHINES, RANGING FROM 3 NEEDLES TO 15 NEEDLES, STANDARD TO CUSTOMIZED EMBROIDERY AREA... IS DEVIDED INTO 23 DIAGRAMS.
2. IN EACH DIAGRAM, ALL PARTS ARE INDICATED WITH A DIGITAL WHICH IS USED TO LOCATE IT IN THE PARTS BOOK.  
(FOR EXAMPLE, DIGRAM 5-MACHIHNE HEAD COMPONENTS & PART 25, IT IS 5/25. Press CTRL+F AND INPUT 5/25, THE PART IS LOCATED.)
3. FILL UP THE AFTER-SALES APPLICATION FORM WITH REQUIRED INFORMATION AND SEND IT TO BUTTERFLY. THE APPLICATION FORM COULD BE FOUND RIGHT NEXT TO THE DIAGRAM FORM.

17. THREAD HOOKING ASSEMBLY (TWO HEADS)									
部件/序号 COMPONENTS/NO.	序号 O.	图号 DIAGRAM NO.	名称 NAME	单位 UNIT	用量 CONSUMPTION				
					901-C	902-C	904-C	906-C	908-C
17/1	1		电磁铁 SOLENOID	套 SET	1	2			
17/2	2	900-06-01-1	电磁铁勾线器 SOLENOID THREAD HOLDER	套 SET	1	2			
17/3	3	197-14-1002	螺母M4 NUT	颗 GRAIN	2	4			
17/4	4	900-16-06	内六角螺丝M4*8 SCREW	颗 GRAIN	2	4			
17/5	5	197-16-1002	平垫片M4 PLANT WASHER	个 PIECE	2	4			
17/6	6	900-16-43	内紧定螺丝M4*4 SCREW	颗 GRAIN	2	4			

18. THREAD HOOKING ASSEMBLY (FOUR SIX EIGHT TEN TWELVE FIFTEEN HEADS)									
部件/序号 COMPONENTS/NO.	序号 O.	图号 DIAGRAM NO.	名称 NAME	单位 UNIT	用量 CONSUMPTION				
					901-C	902-C	904-C	906-C	908-C
18/1	1	900-06-01	勾线器组件 THREAD HOLDER ASM	套 SET			6	8	10
18/2	2	900-06-05	80 (勾线) 电机 MOTOR	套 SET			1	1	1
18/3	3	900-06-06	80 (勾线) 电机座 MOTOR HOLDER BASE	个 PIECE			1	1	1
18/4	4	900-06-02	偏心轮组件 NEEDLE BAR DRIVE CAM ASM	套 SET			1	1	1
18/5	5	900-16-50	内紧定螺丝M6*8 SCREW	颗 GRAIN			2	2	2
18/6	6	900-16-19	内六角螺丝M5*16 SCREW	颗 GRAIN			4	4	4
18/7	7	197-14-1004	螺帽M6 NUT	颗 GRAIN			2	2	2
18/8	8	900-10-02	勾线拉杆接头 THREAD HOLDER TENSION JOINT	个 PIECE			2	2	2
18/9	9	900-10-01	勾线拉杆 THREAD HOLDER TENSION	套 SET			1	1	1
18/10	10	900-16-06	内六角螺丝M4*8 SCREW	颗 GRAIN			12	16	20
18/11	11	197-16-1002	平垫片M4 PLANT WASHER	个 PIECE			12	16	20

19. CAP DRIVER									
部件/序号 COMPONENTS/NO.	序号 O.	图号 DIAGRAM NO.	名称 NAME	单位 UNIT	用量 CONSUMPTION				
					901-C	902-C	904-C	906-C	908-C
19/1	1	922-05-01	帽驱动组件 CAP DRIVER ASM	套 SET	1	2	4	6	8
19/2	2	900-16-08	内六角螺丝M4*12 SCREW	个 PIECE	2	4	8	12	16
19/3	3	197-16-1002	平垫片M4 PLANT WASHER	个 PIECE	2	4	8	12	16

20. CAP HOLDER									
部件/序号 COMPONENTS/NO.	序号 O.	图号 DIAGRAM NO.	名称 NAME	单位 UNIT	用量 CONSUMPTION				
					901-C	902-C	904-C	906-C	908-C
20/1	1	922-05-02	帽座组件 CAP BASE ASM	套 SET	1	2	4	6	8

21. CAP FRAME									
部件/序号 COMPONENTS/NO.	序号 O.	图号 DIAGRAM NO.	名称 NAME	单位 UNIT	用量 CONSUMPTION				
					901-C	902-C	904-C	906-C	908-C
21/1	1	922-05-01-1	帽框组件 CAP DRIVE SET	套 SET	1	2	4	6	8

22. THREAD STAND ASSEMBLY									
部件/序号 COMPONENTS/NO.	序号 O.	图号 DIAGRAM NO.	名称 NAME	单位 UNIT	用量 CONSUMPTION				
					901-C	902-C	904-C	906-C	908-C
22/1	1	900-07-01	线架底板 THREAD STAND BASE PLATE	套 SET	1	1	1	1	1
22/2	2	922-05-06	线架立柱 THREAD STAND SHAFT	根 BAR	2	2			
22/2	2	900-07-02-1	线架立柱 (短) THREAD STAND SHAFT(SHORT)	根 BAR			3	4	5
22/3	3	900-07-02-2	线架立柱 (长) THREAD STAND SHAFT(LONG)	根 BAR			3	4	5
22/4	4	900-07-03	圆弧支撑 ARC SUPPORT	个 PIECE	2	2	3	4	5
22/5	5	197-16-1007	平垫片M12 PLANT WASHER	个 PIECE	2	2			
22/5	5	197-16-1006	平垫片M10 PLANT WASHER	个 PIECE			6	8	10
22/6	6	197-14-1007	螺帽M12 NUT	个 PIECE			6	8	10
22/7	7	900-07-08	插线钉 ARM SPOOL PIN	根 BAR	9	18	36	54	72
22/8	8	197-16-9011	弹簧垫片 M5 FLEXIBLE WASHER	个 PIECE	9	18	36	54	72
22/9	9	197-16-1003	平垫片M5 PLANT WASHER	个 PIECE	13	22	36	54	72
22/10	10	197-14-1003	螺帽M5 NUT	个 PIECE	9	18	36	54	72
22/11	11	900-07-05	夹线器 TENSION	套 SET	9	18	36	54	72
22/12	12	197-106-0206	十字圆头螺钉M5*10 SCREW	颗 GRAIN	8	8	9	12	15
22/13	13	900-07-06	瓷套 SET INSULATOR	个 PIECE	18	36	72	108	144
22/14	14	900-21-09	线架支撑A THREAD STAND SUPPORT A	根 BAR	2	2	2	2	2
22/15	15	900-21-10	线架支撑B THREAD STAND SUPPORT B	根 BAR	1	1	1	1	1
22/16	16	900-21-11	线架支撑C THREAD STAND SUPPORT C	根 BAR	1	1	1	1	1
22/17	17	900-16-29	内六角螺丝M6*12 SCREW	颗 GRAIN	22	2	6	8	10
22/18	18	922-05-03	线架垫块 THREAD STAND DRIVER SPACER	根 BAR	2	2			
22/19	19	900-16-19	内六角螺丝M5*16 SCREW	颗 GRAIN	4	4			
22/20	20	900-16-21	内六角螺丝M5*25 SCREW	颗 GRAIN	4	4			



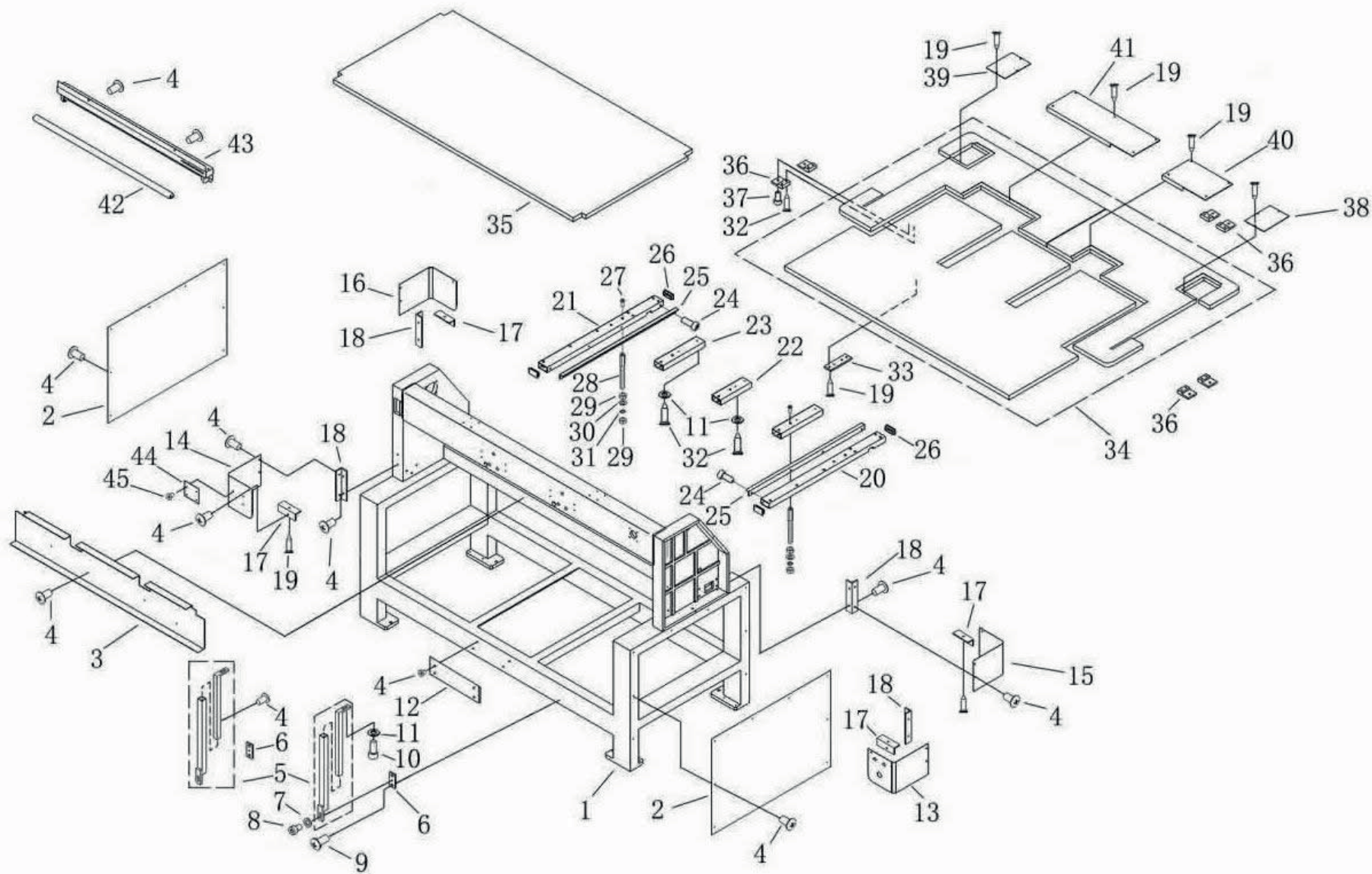
# BUTTERFLY BRAND MULTI-HEAD TUBULAR EMBROIDERY MACHINE PARTS BOOK

1. BUTTERFLY MULTI-HEAD TUBULAR EMBROIDERY MACHINES, RANGING FROM 3 NEEDLES TO 15 NEEDLES, STANDARD TO CUSTOMIZED EMBROIDERY AREA... IS DEVIDED INTO 23 DIAGRAMS.
2. IN EACH DIAGRAM, ALL PARTS ARE INDICATED WITH A DIGITAL WHICH IS USED TO LOCATE IT IN THE PARTS BOOK.  
(FOR EXAMPLE, DIGRAM 5-MACHIHNE HEAD COMPONENTS & PART 25, IT IS 5/25. Press CTRL+F AND INPUT 5/25, THE PART IS LOCATED.)
3. FILL UP THE AFTER-SALES APPLICATION FORM WITH REQUIRED INFORMATION AND SEND IT TO BUTTERFLY. THE APPLICATION FORM COULD BE FOUND RIGHT NEXT TO THE DIAGRAM FORM.

23. EMBORIDERY FRAME					用量 CONSUMPTION				
部件/序号 COMPONENTS/NO.	序号 NO.	图号 DIAGRAM NO.	名称 NAME	单位 UNIT	CONSUMPTION				
					901-C	902-C	904-C	906-C	908-C
23/1	1	922-21-01	横向前框 BORDER FRAME FRONT	根 BAR	1	1			
23/2	1	922-21-02	横向前框 BORDER FRAME FRONT	根 BAR			1	1	1
23/2	2	922-21-03	横向后框 BORDER FRAME BACK	根 BAR	1	1			
23/2	2	922-21-04	横向后框 BORDER FRAME BACK	根 BAR			1	1	1
23/3	3	922-21-05	纵向框 STAND FRAME	根 BAR	2	2			
23/3	3	922-21-06	纵向框 STAND FRAME	根 BAR			2	2	2
23/4	4	922-15-23	铁条 IRON ROD	根 BAR	1	1	1	1	1
23/5	5	900-14-01-3	框架角铁(小) FRAME CORNER ATTACHMENT(SMALL)	个 PIECE	4	4			
23/5	5	900-14-01-1	框架角铁(大) FRAME CORNER ATTACHMENT(BIG)	个 PIECE			4	4	4
23/6	6	900-14-02-1	平锥头内六角螺丝M6*12 SCREW	颗 GRAIN	18	19	29	31	33
23/7	7	900-14-03-1	羊毛毡条 WICK	根 BAR	4	4			
23/7	7	900-14-03-2	羊毛毡条 WICK	根 BAR			6	6	8

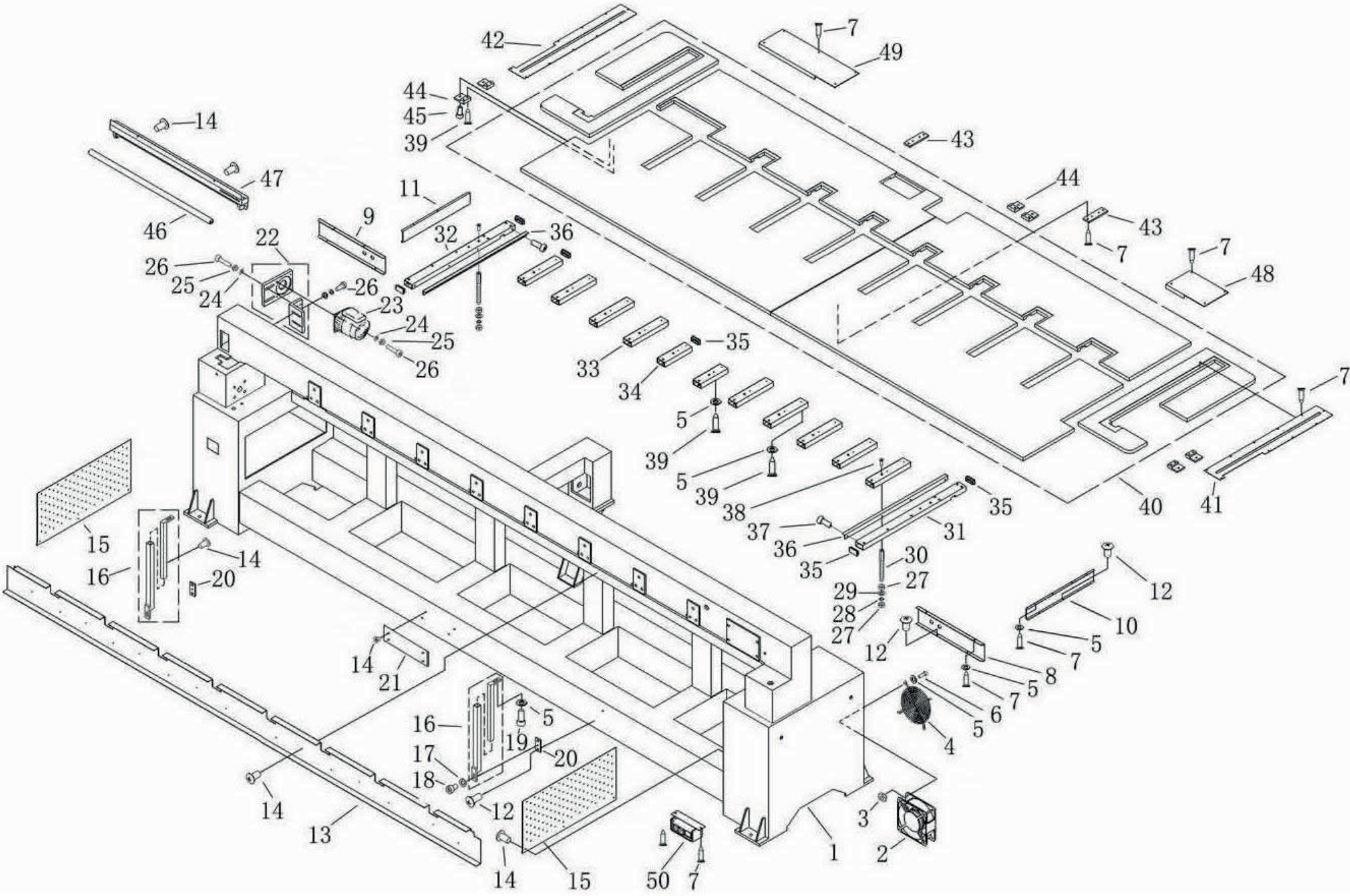
24. ACCESSORIES					用量 CONSUMPTION				
部件/序号 COMPONENTS/NO.	序号 NO.	图号 DIAGRAM NO.	名称 NAME	单位 UNIT	CONSUMPTION				
					901-C	902-C	904-C	906-C	908-C
24/1	1	900-09-09	三眼连杆 3 EYES CONNECTING ROD	只 PIECE	1	1	1	1	1
24/2	2	900-09-11	1号销 NO.1 PIN	只 PIECE	1	1	1	1	1
24/3	3	900-09-16	驱动器 DRIVER	只 PIECE	1	1	1	1	1
24/4	4	900-12-13	针杆 NEEDLE BAR	根 BAR	2	2	2	2	2
24/5	5	900-12-17	不锈钢压脚 STAINLESS STEEL PRESSER	只 PIECE	3	3	3	3	3
24/6	6	900-12-19	针夹配螺丝 SCREW	套 SET	3	3	3	3	3
24/7	7	900-12-14-1/900-12-1	上下死点 UPPER&LOWER DEAD POINT	套 SET	2	2	2	2	2
24/8	8	900-12-07	挑线片 TAKING-UP PIN	只 PIECE	3	3	3	3	3
24/9	9	900-12-08	圆齿轮 ROUND GEAR	只 PIECE	3	3	3	3	3
24/10	10	900-09-19	半齿轮 HALF CIRCLE GEAR	只 PIECE	3	3	3	3	3
24/11	11	900-12-15/900-12-16	上下弹簧 SPRING	套 SET	3	3	3	3	3
24/12	12	900-12-18	O型圈 0 GASKET	只 PIECE	8	8	8	8	8
24/13	13	900-09-32	跳跃电磁铁 JUMP SOLENOID	只 PIECE	1	1	1	1	1
24/14	14	900-12-41	机针1# NEEDLE	包 BAG	1	1	1	1	1
24/15	15	900-03-11	梭壳 BOBBIN CASE	只 PIECE	2	3	5	7	9
24/16	16	900-03-12	梭芯 BOBBIN	只 PIECE	2	4	8	12	16
24/17	17	900-03-13	旋梭 HOOK	只 PIECE	1	1	1	1	1
24/18	18	900-17-30-1	内六角扳手 HEXAGON WRENCH	套 SET	1	1	1	1	1
24/19	19	900-14-06	布夹(长) BORDER FRAME CLIP(LONG)	根 BAR	4	8	14	18	22
24/20	20	900-08-14	微动开关 MIRCO SWITCH	只 PIECE	1	1	1	1	1
24/21	21	900-12-24/900-12-22	牛筋垫1*9/1*6 CRABGRASS WASHER	条 BAR	4	4	4	4	4
24/22	22	900-09-24.-25.-26	滑条6.9.12 SLIP	根 BAR	1	1	1	1	1
24/23	23	922-01-25	帽绣针板 CAP EMBRODIERY NEEDLE PALTE	块 BLOCK	1	2	4	6	8
24/24	24	922-05-02	帽桶 CAP DRIVE SET	只 PIECE	1	1	1	1	1
24/25	25	922-05-01-2	帽圈 CAP RING	只 PIECE	1	2	4	6	8
24/26	26	922-08-01-1/1-2/3/92	成衣绷架 CLOTHES STRETCH FRAME	套 SET	1	1	1	1	1
24/27	27	197-22-9049	大脚垫、大脚垫螺丝 SCREW	个 PIECE			4	4	4
24/28	28	197-99-1542	绕线器 BOBBIN WINDER	只 PIECE	1	1	1	1	1
24/29	29	197-99-1783	工具箱 TOOL BOX	只 PIECE	1	1	1	1	1
24/30	30	197-07-9003.-9010.9	一、十字螺丝刀3#、5# SCREW KNIFE	把 PIECE	1	1	1	1	1
24/31	31	197-99-1397	小剪刀 SCISSORS	把 PIECE	1	1	1	1	1
24/32	32	197-09-1003	毛刷 FELT	把 PIECE	1	1	1	1	1
24/33	33	197-99-9244	油壶 OIL POT	只 PIECE	1	1	1	1	1
24/34	34	197-07-3002.-3005.-3	开口扳手 DRIVER	把 PIECE	1	1	1	1	1
24/35	35	197-99-1319	尖嘴钳 PINCERS	把 PIECE	1	1	1	1	1
24/36	36	197-99-1545	滑块 BLOCK	只 PIECE	2	2	2	2	2
24/37	37	900-11-23	报警轮 ALARM WHEEL	套 SET	2	2	2	2	2
24/38	38	900-02-03-6	保险管 FUSE	包 BAG	1	1	1	1	1
24/39	39	900-11-22	挑线簧 TAKE-UP SPRING	只 PIECE	3	3	3	3	3
24/40	40	922-02-02-10	说明书 INSTRUCTION	本 PIECE	1	1	1	1	1
24/41	41	197-105-0049	U盘 U DISK	只 PIECE	1	1	1	1	1
24/42	42	922-05-01-3	票夹 DOCUMENTS CLAMP	个 PIECE	4	8	16	24	32
24/43	43	900-16-105	针板螺丝 NEEDLE PLANT SCREW	个 PIECE	8	8	8	8	8
24/44	44	900-16-11/900-16-12	内六角螺丝4*20/4*25 HEXAGONAL SOCKET SCREW4*20/4*25	个 PIECE	10	10	10	10	10
24/45	45	900-16-42	内紧定螺丝3*5 HEXAGONAL SOCKET SET SCREW	个 PIECE	5	5	5	5	5
24/46	46	900-16-06	上下死点螺丝 SCREW	个 PIECE	8	8	8	8	8
24/47	47	900-16-120	内六角螺丝M12*35 HEXAGONAL SOCKET SCREWM12*35	颗 GRAIN	4	4			
24/48	48	900-16-09	内六角螺丝M4*16 HEXAGONAL SOCKET SCREWM4*16	颗 GRAIN	2	4	8	12	16
24/49	49	900-16-28	内六角螺丝M6*10 SCREW M6*10	颗 GRAIN	6	8	12	14	16
24/50	50	197-16-1002	平垫片M4 PLANT WASHER M4	个 PIECE	2	4	8	12	16
24/51	51	197-16-9008	弹簧垫片M4 FLEXIBLE WASHER	个 PIECE	2	4	8	12	16
24/52	52	900-16-18	内六角螺丝M5*12 SCREWM5*12	颗 GRAIN	1	2	4	6	8

# 1. FRAME AND TABLE (TWO HEADS)

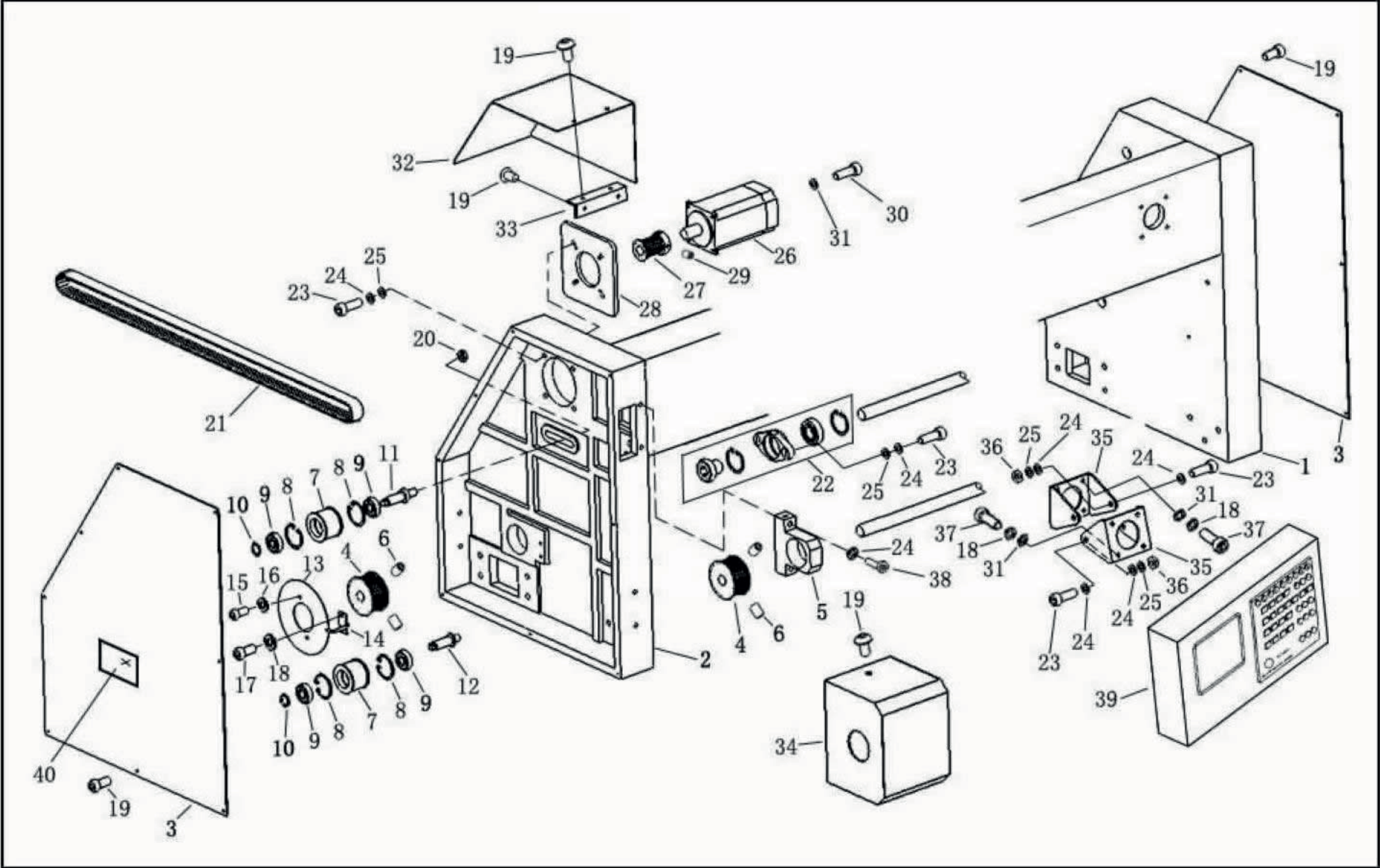




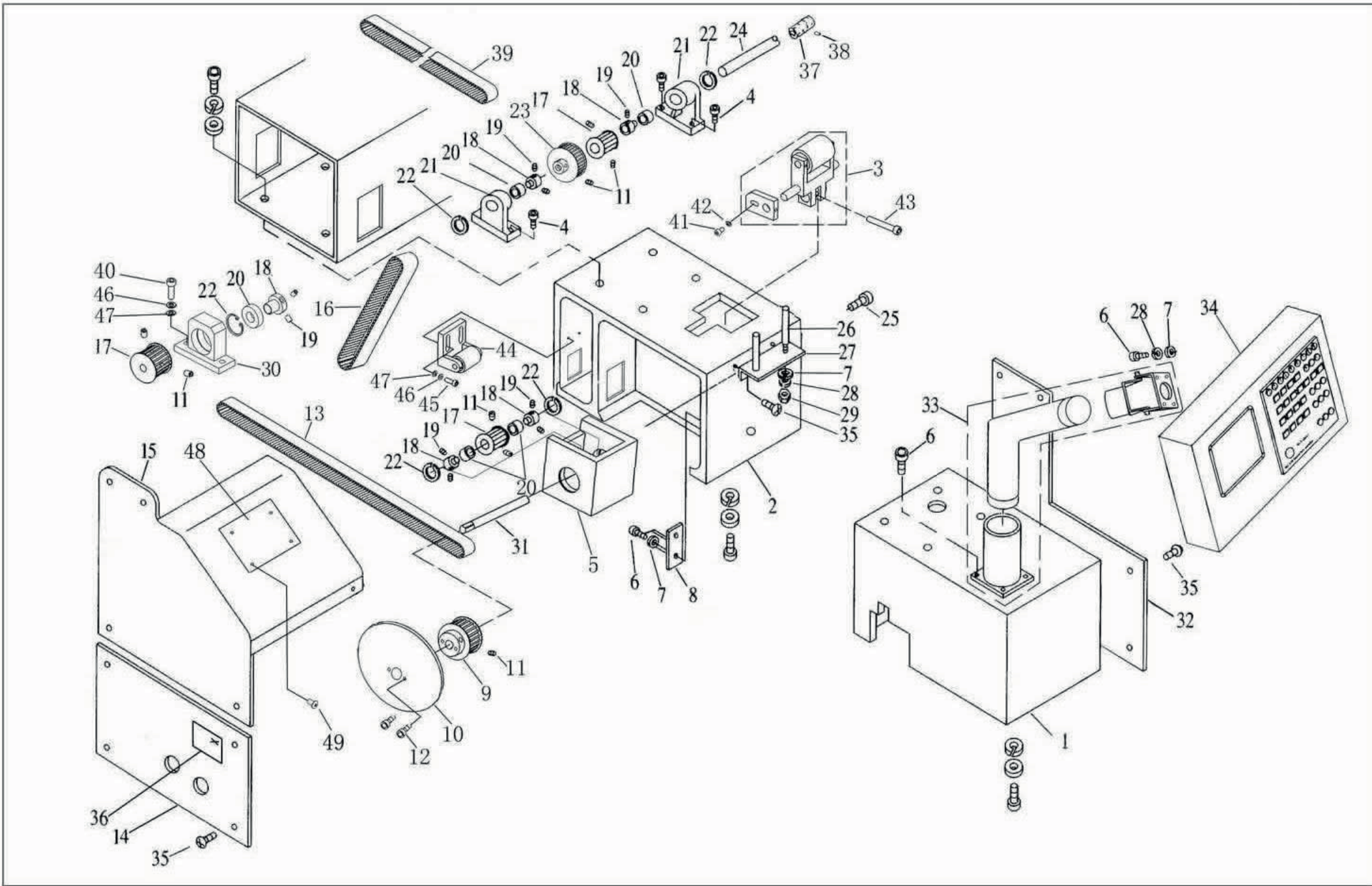
# 2. FRAME AND TABLE (FOUR SIX EIGHT TEN TWELVE FIFTEEN HEADS)



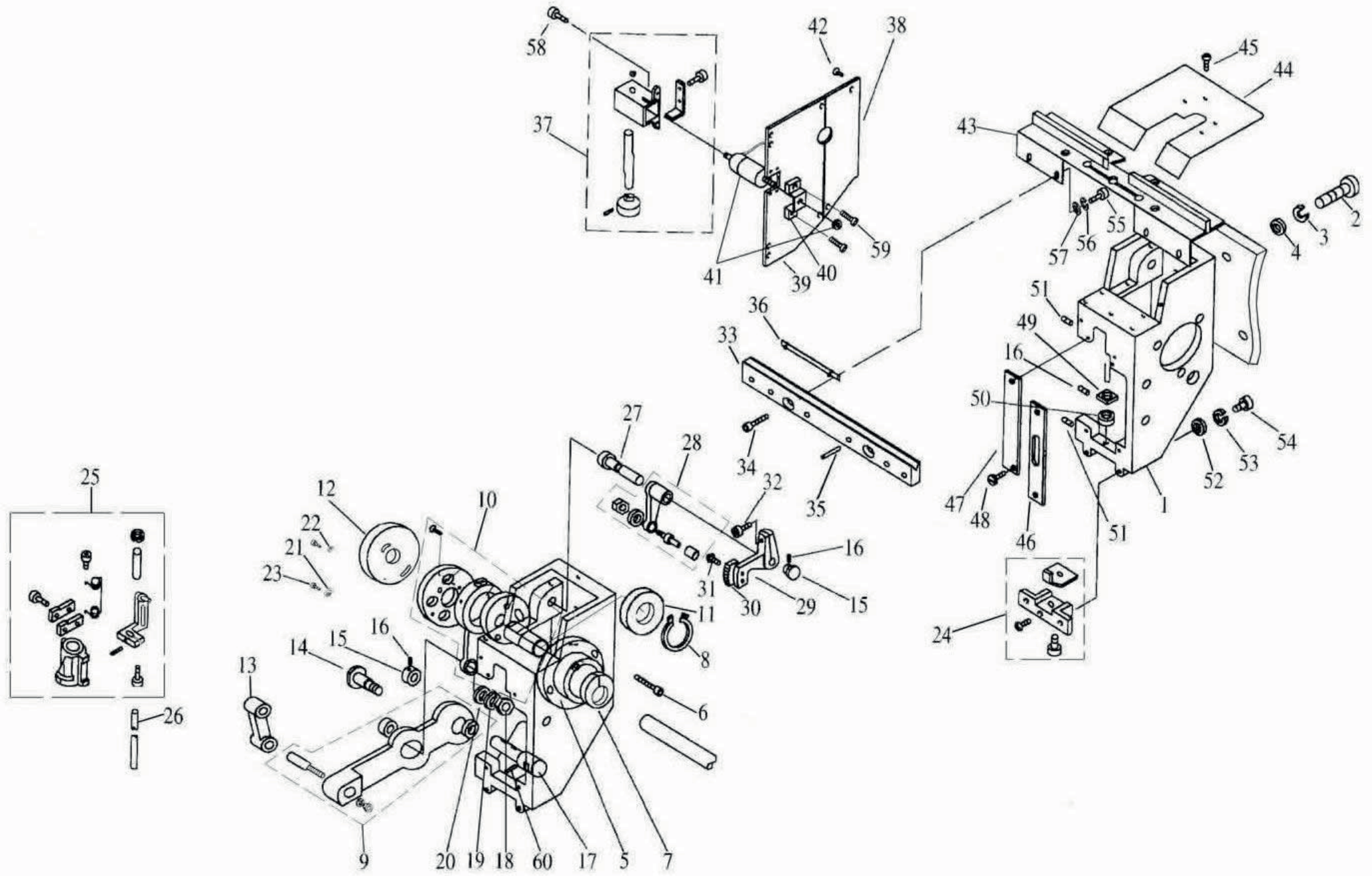
### 3. CONTOUR CASE/CONTROL PANEL (TWO HEADS)



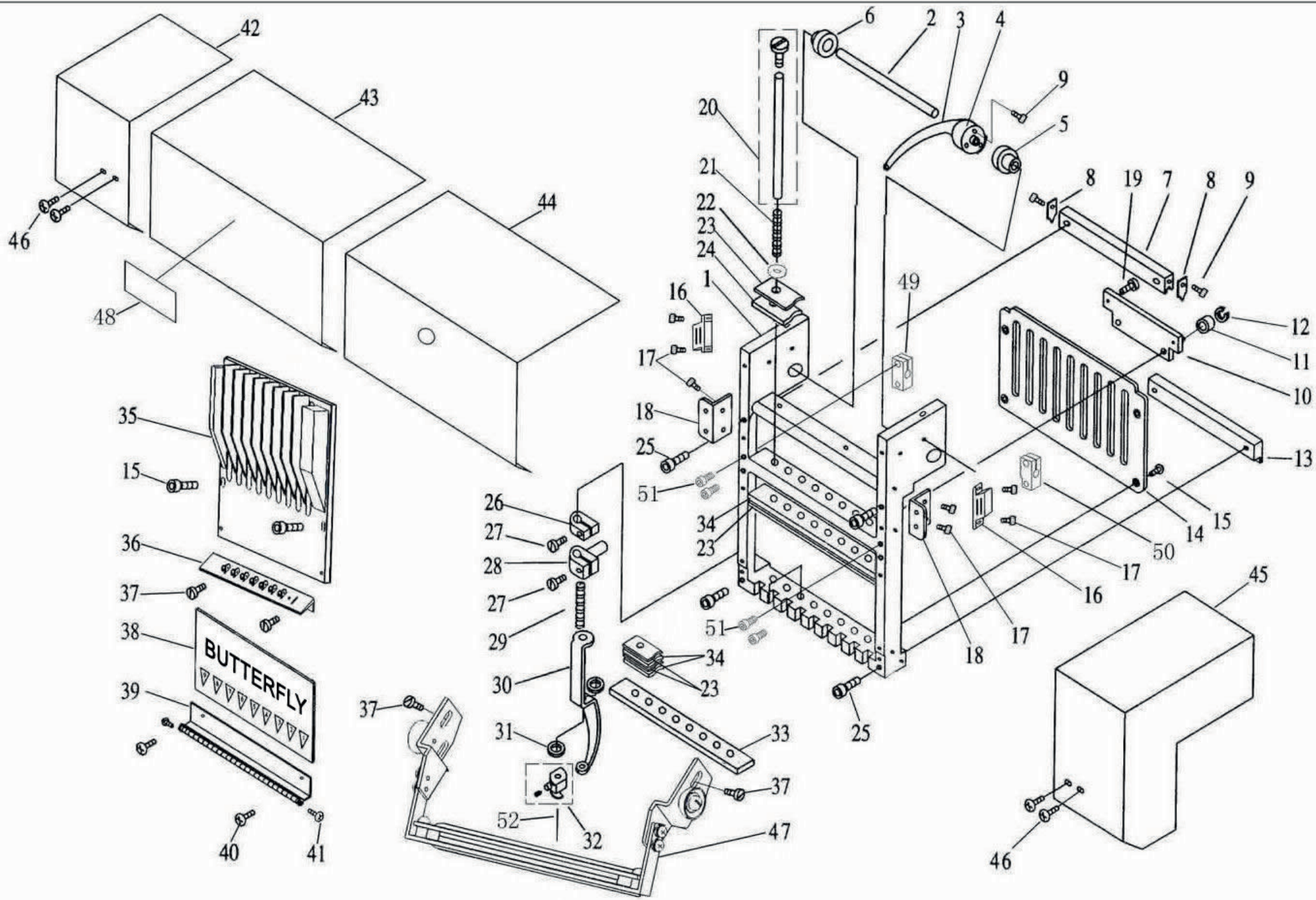
# 4. CONTOUR CASE/CONTROL PANEL (FOUR SIX EIGHT TEN TWELVE HEADS)



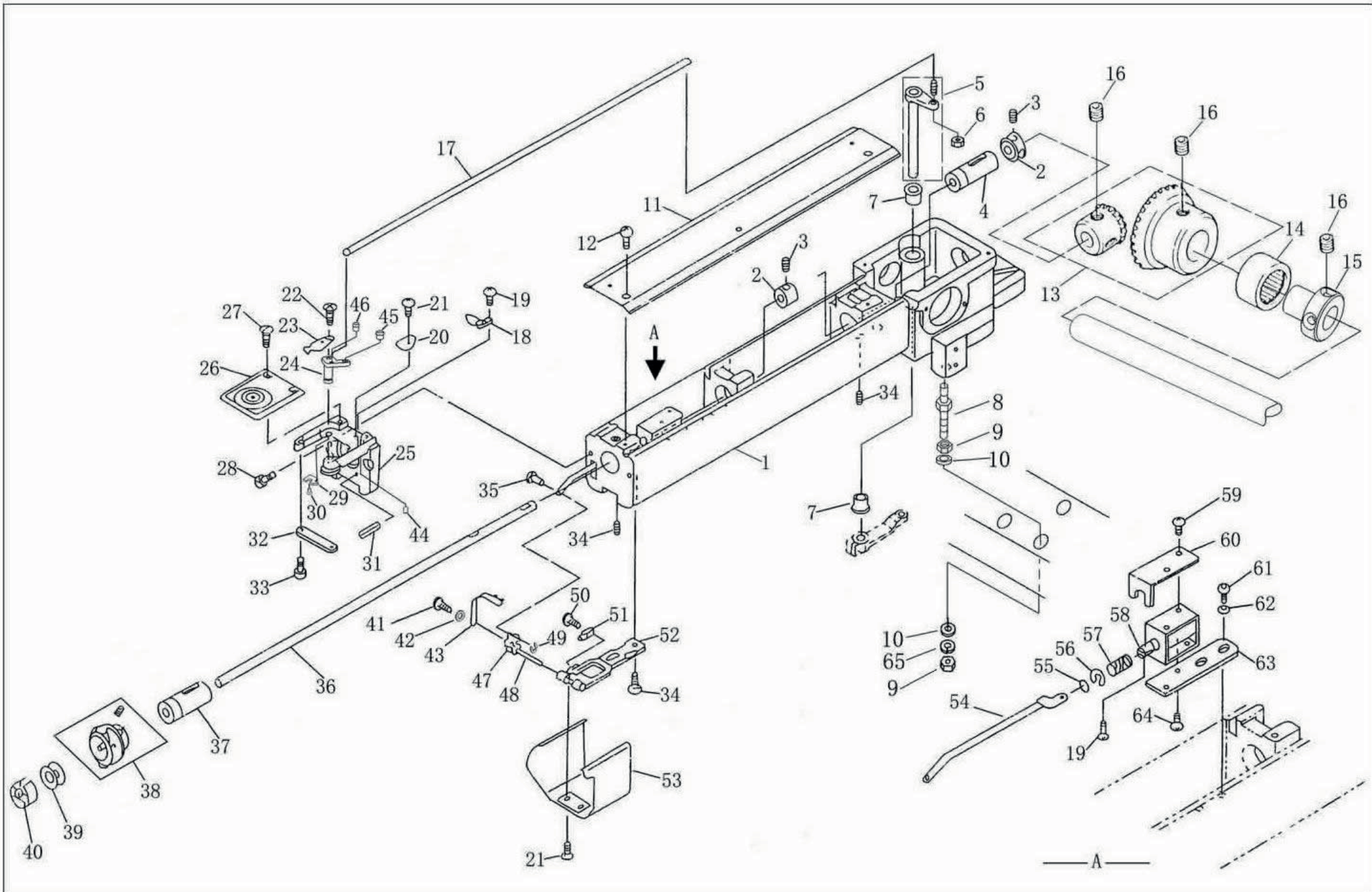
# 5. MACHINE HEAD COMPONENTS



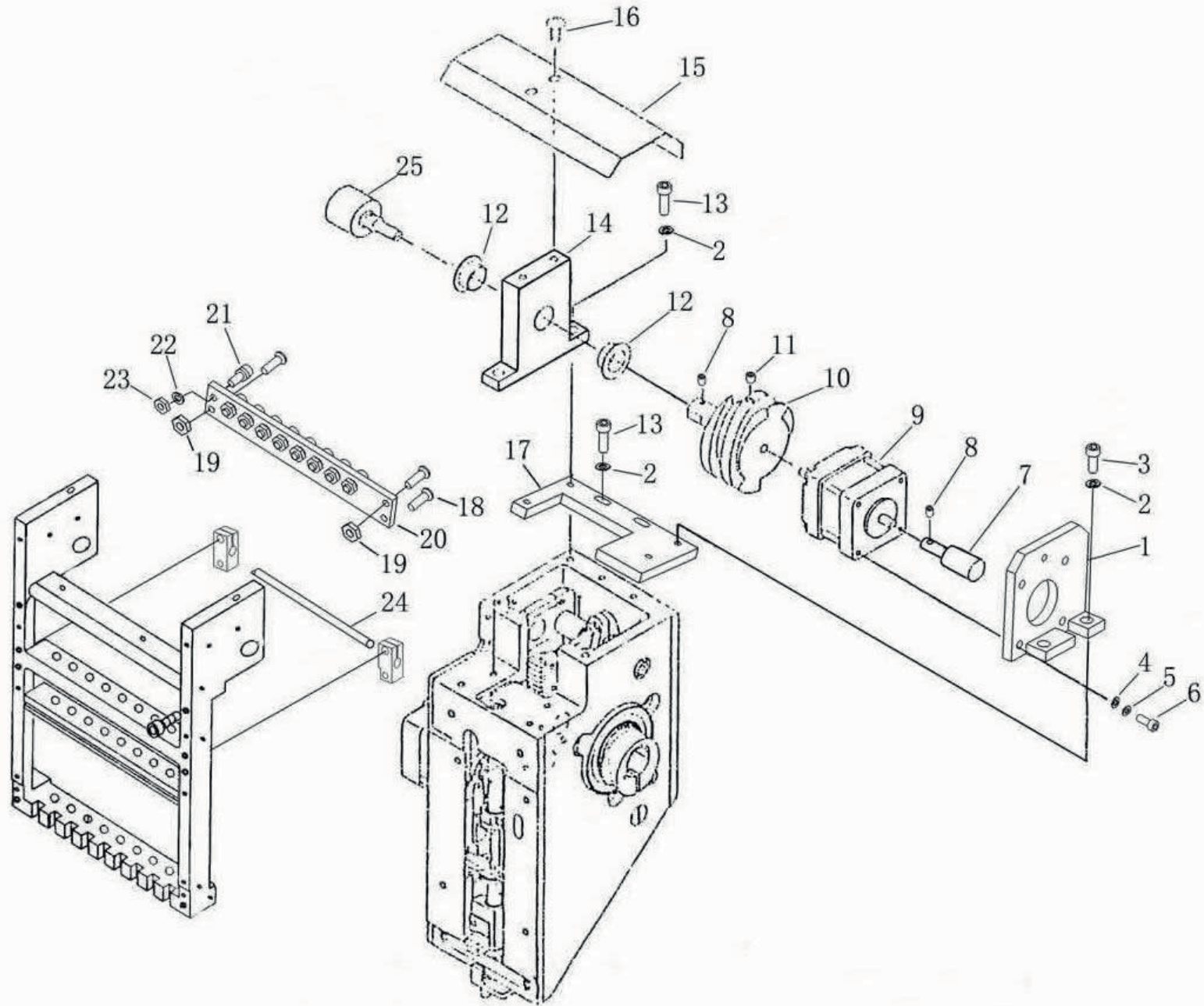
# 6. NEEDLE BAR BASE



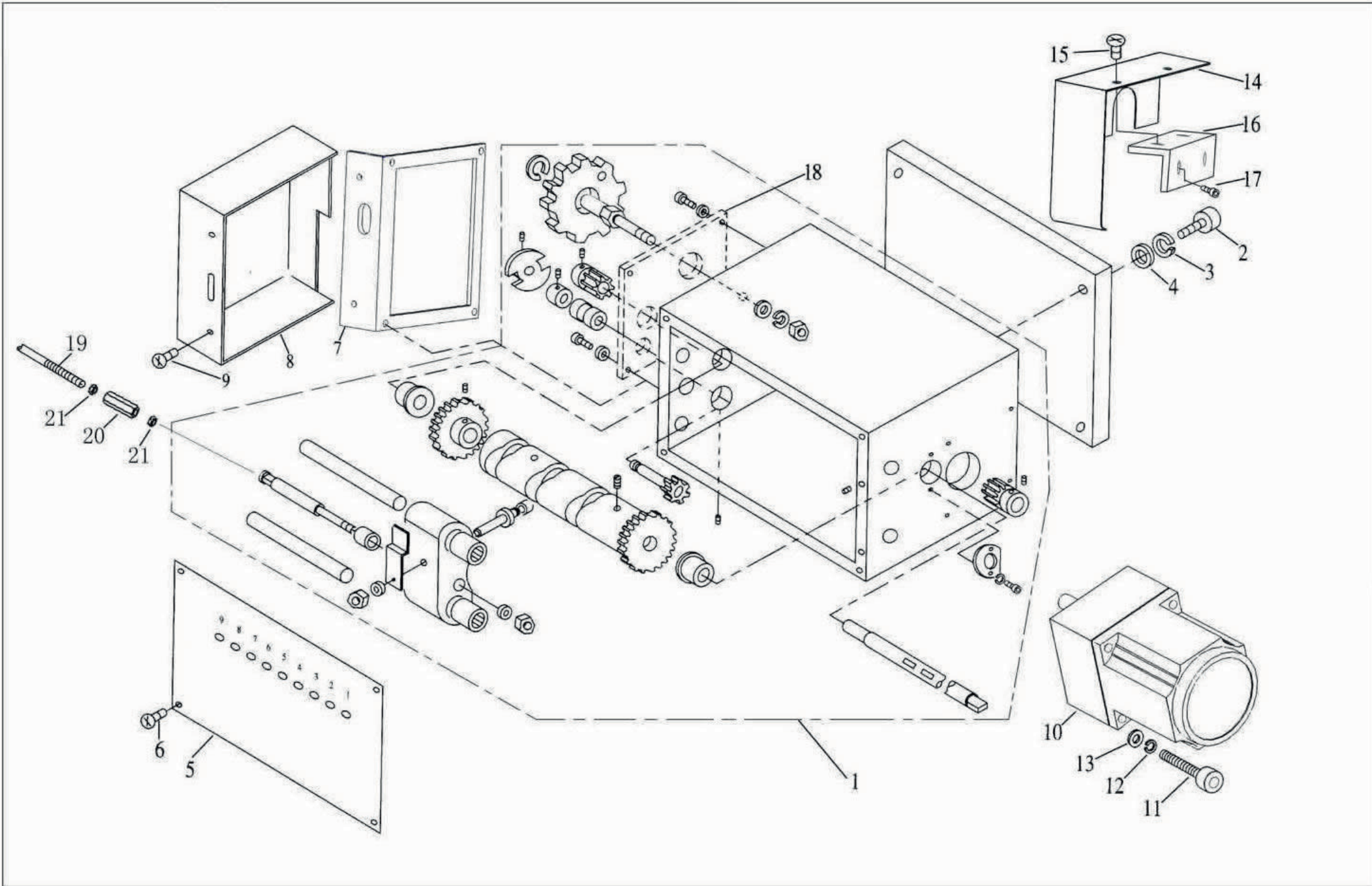
# 7. HOOK CASE COMPONENTS



## 8. COLOR-CHANGE BOX (TWO HEADS)

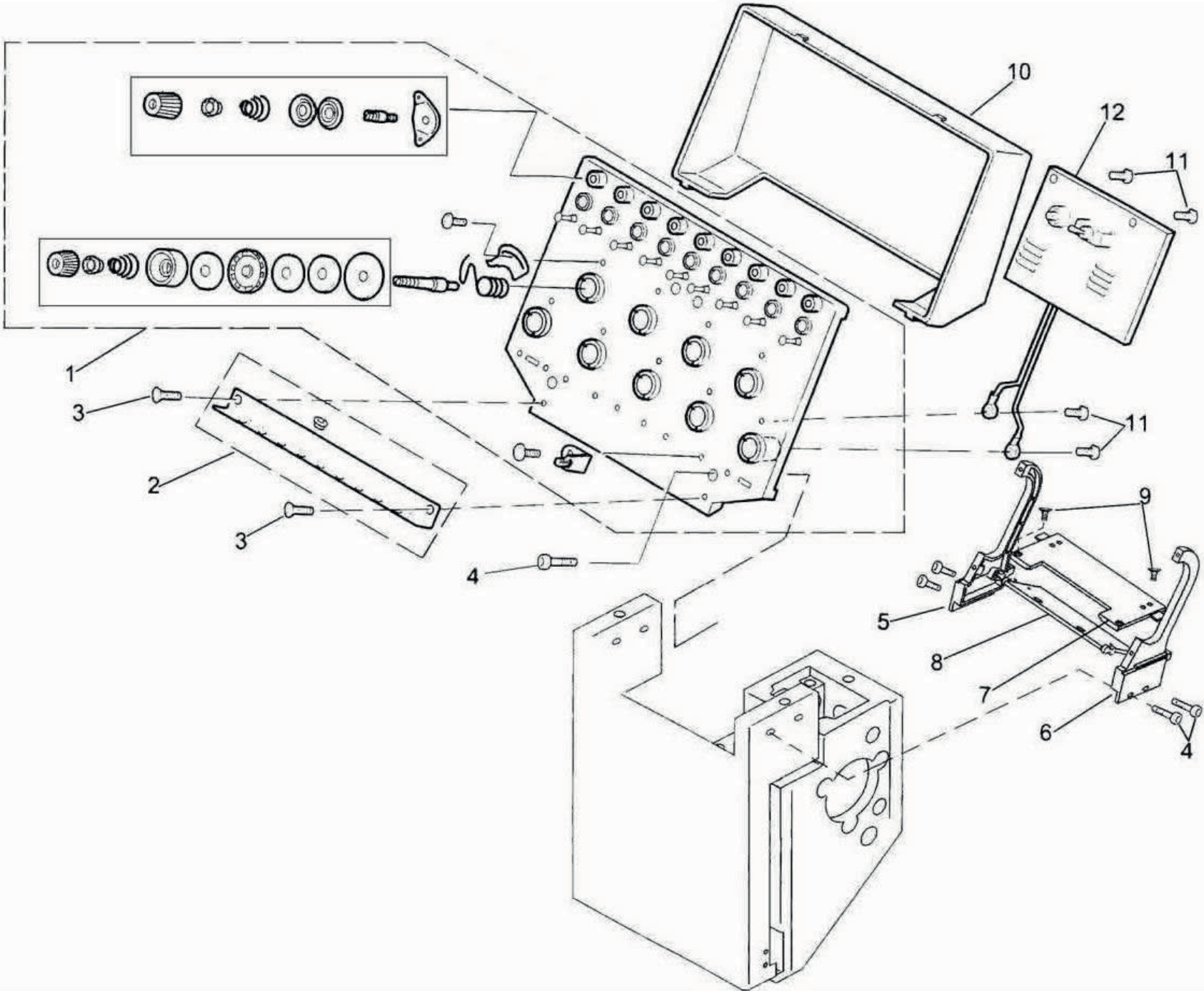


# 9. COLOR-CHANGE BOX (FOUR SIX EIGHT TEN TWELVE FIFTEEN HEADS)

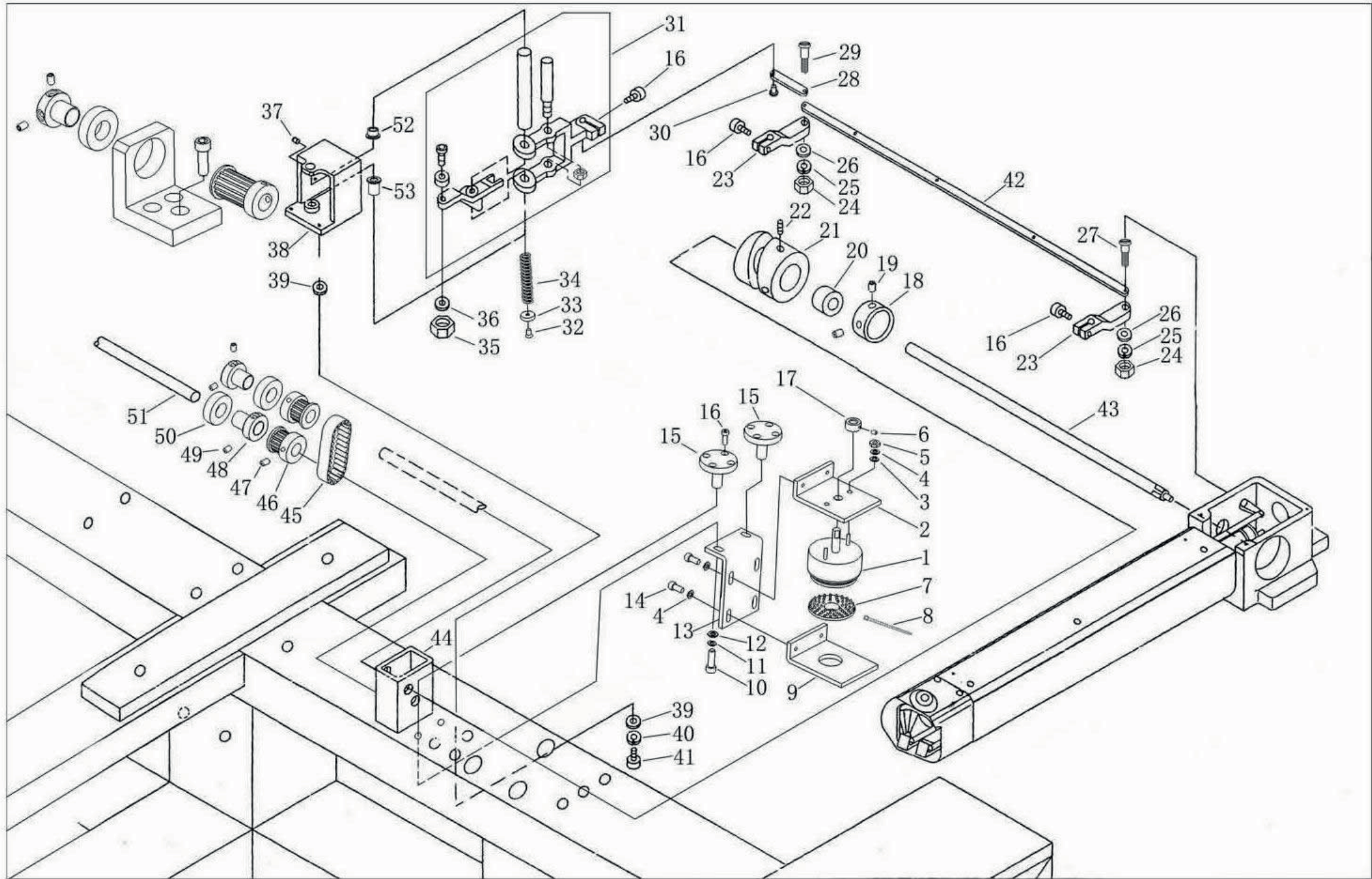




# 10. THREAD PRE-TENSION ASSEMBLY



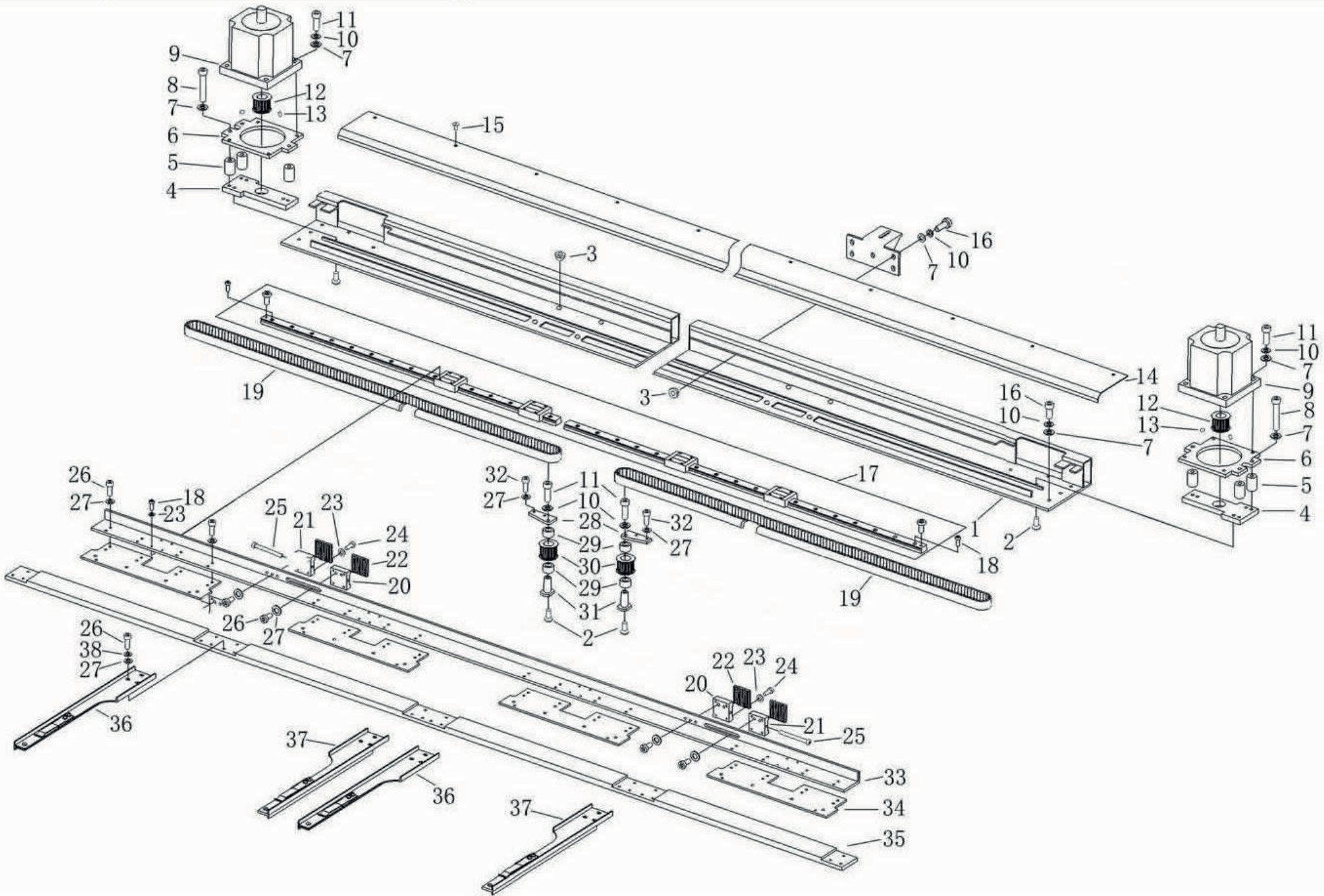
# 11. TRIMMER COMPONENTS



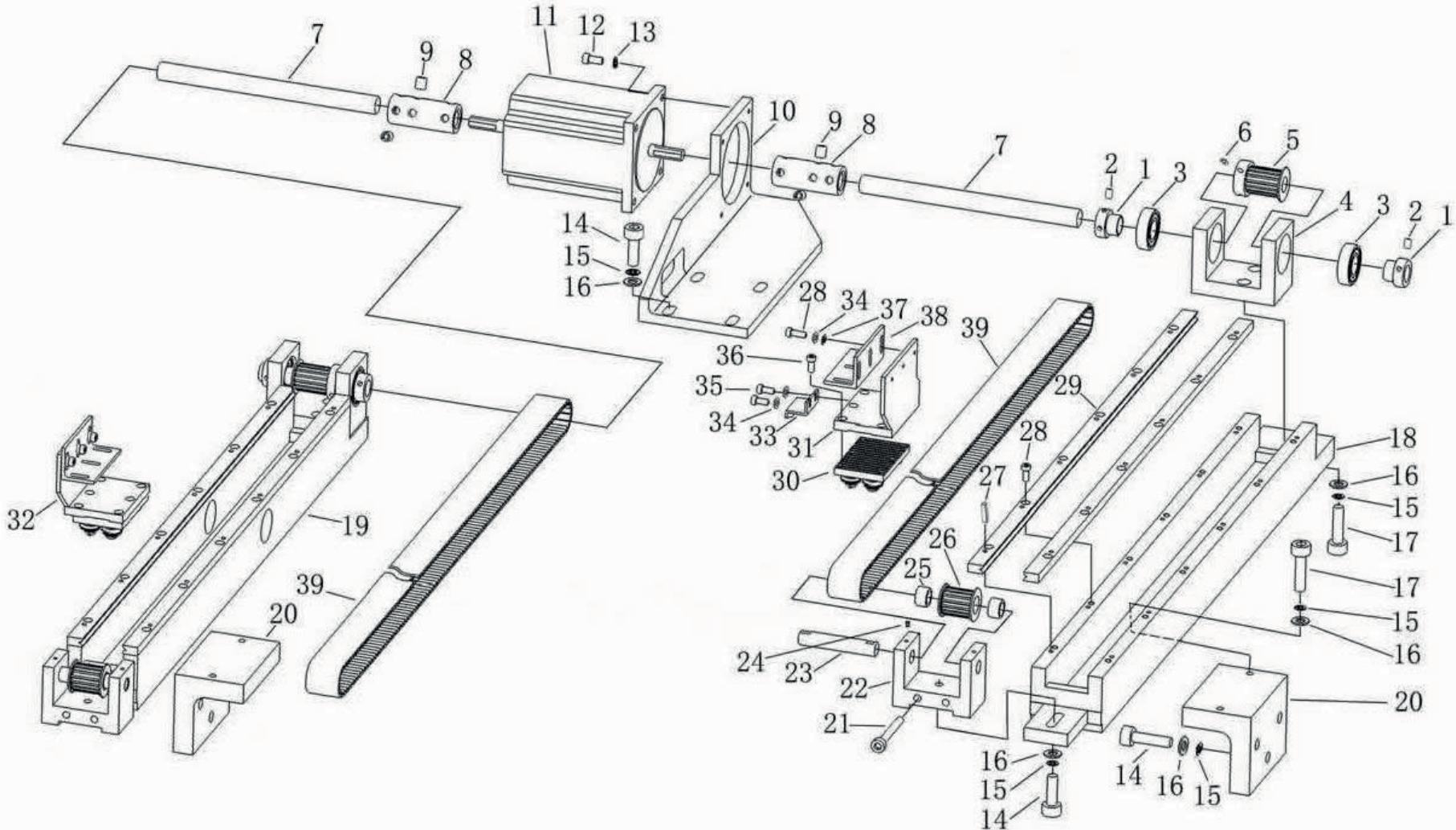




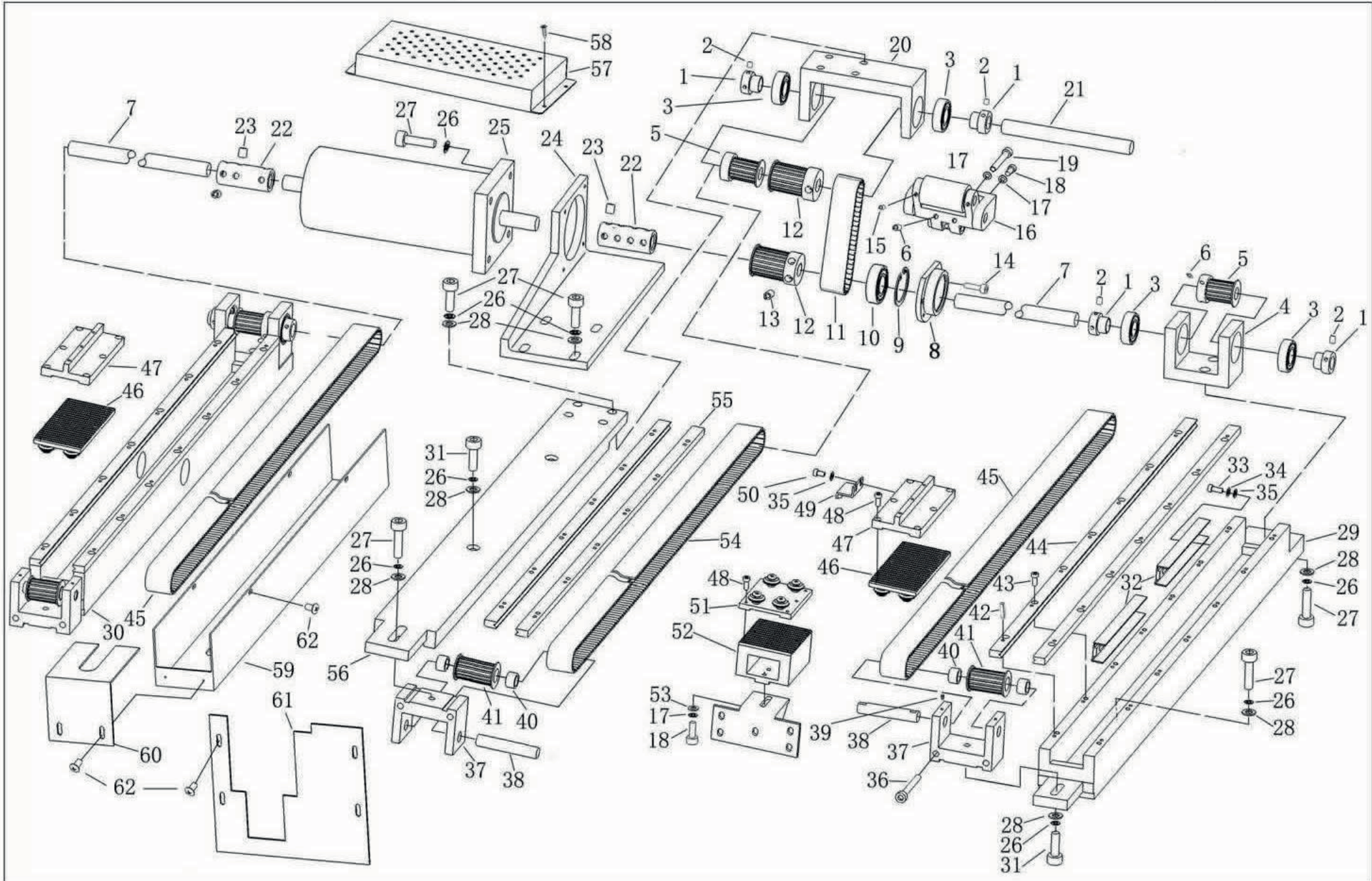
# 14. X-AXIS DRIVER SYSTEM (TWO FOUR SIX EIGHT TEN TWELVE FIFTEEN HEADS)



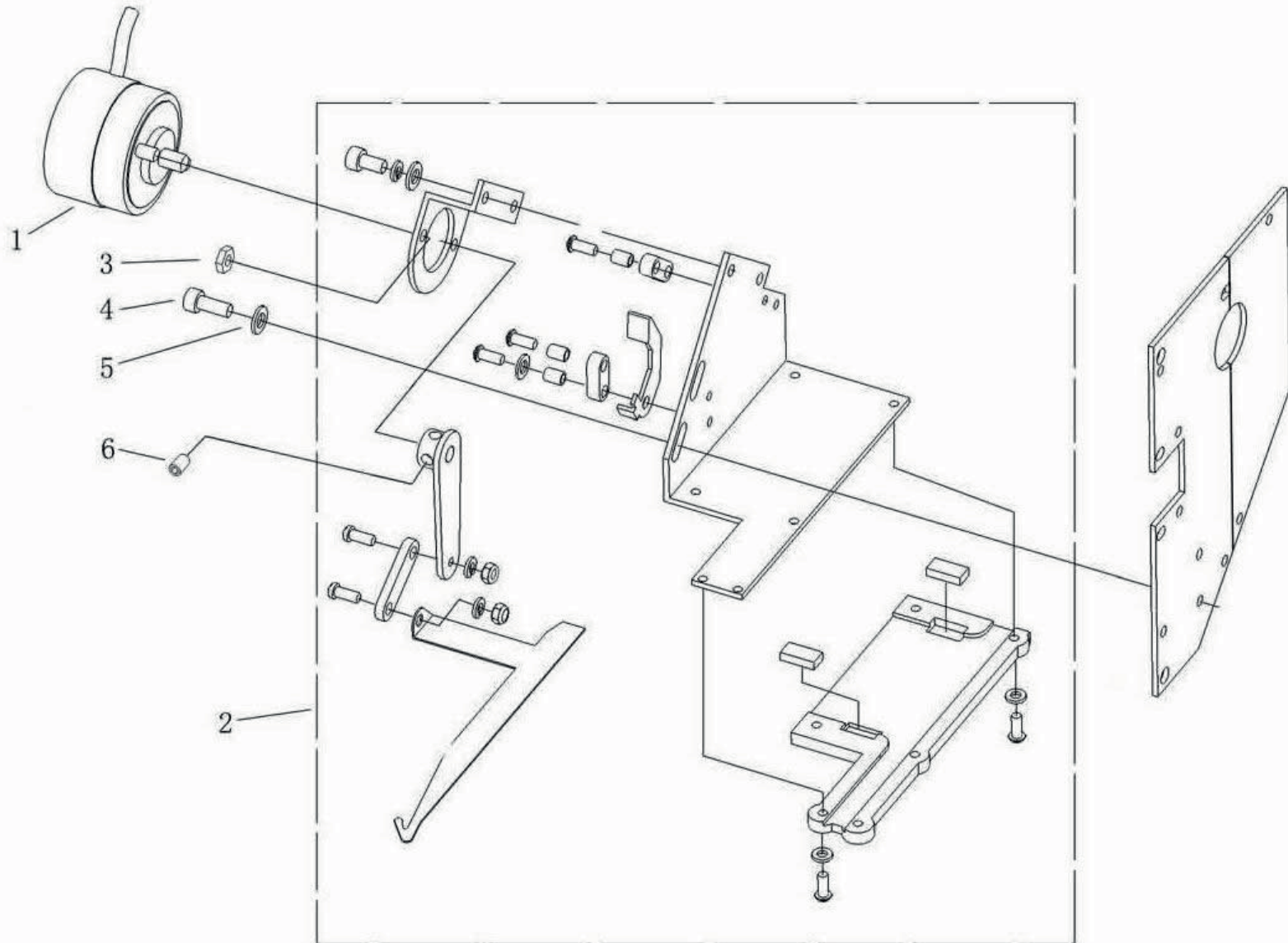
# 15. Y-AXIS DRIVER SYSTEM (TWO HEADS)



# 16. Y-AXIS DRIVER SYSTEM (FOUR SIX EIGHT TEN TWELVE FIFTEEN HEADS)

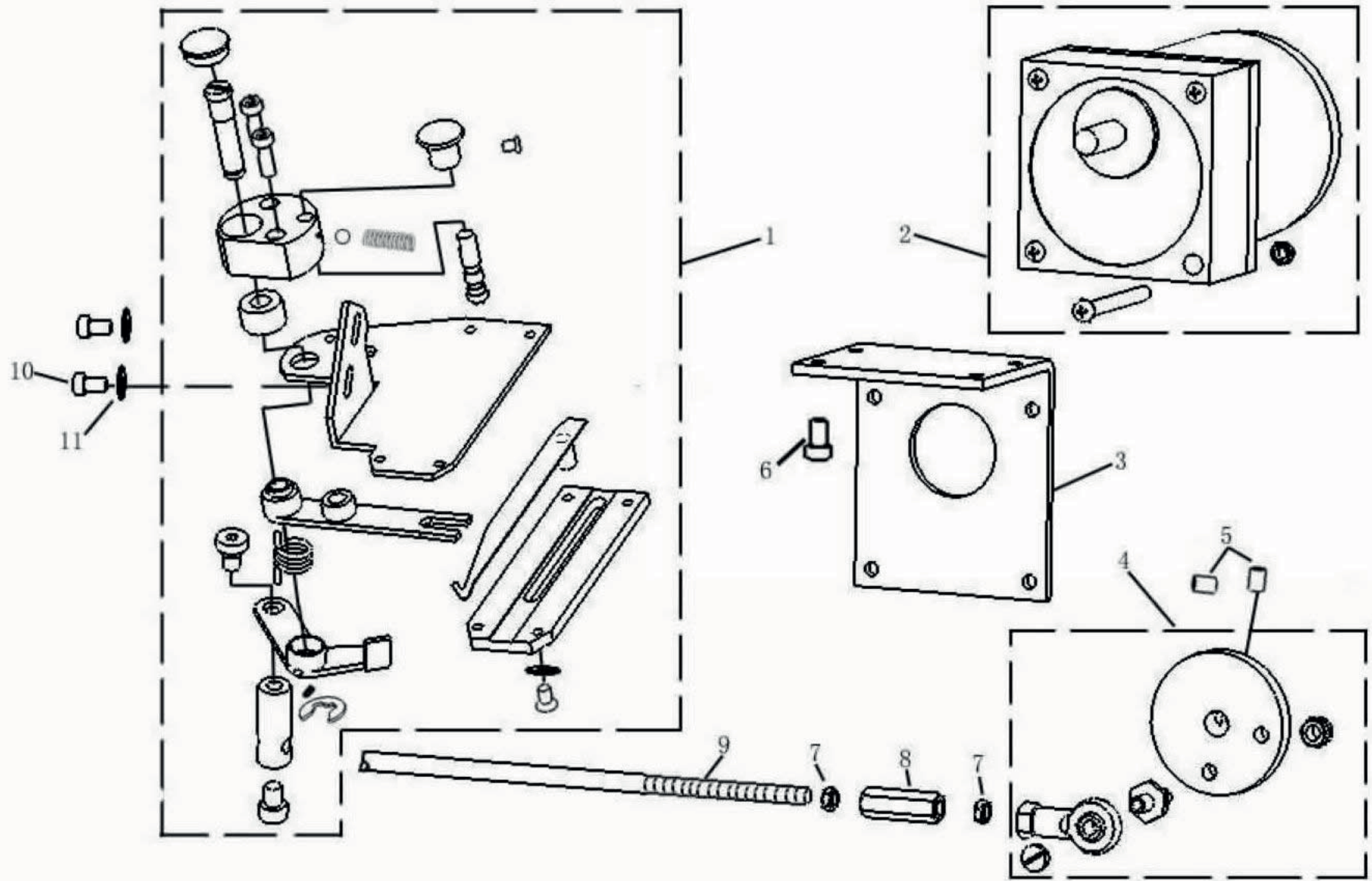


# 17. THREAD HOOKING ASSEMBLY (TWO HEADS)

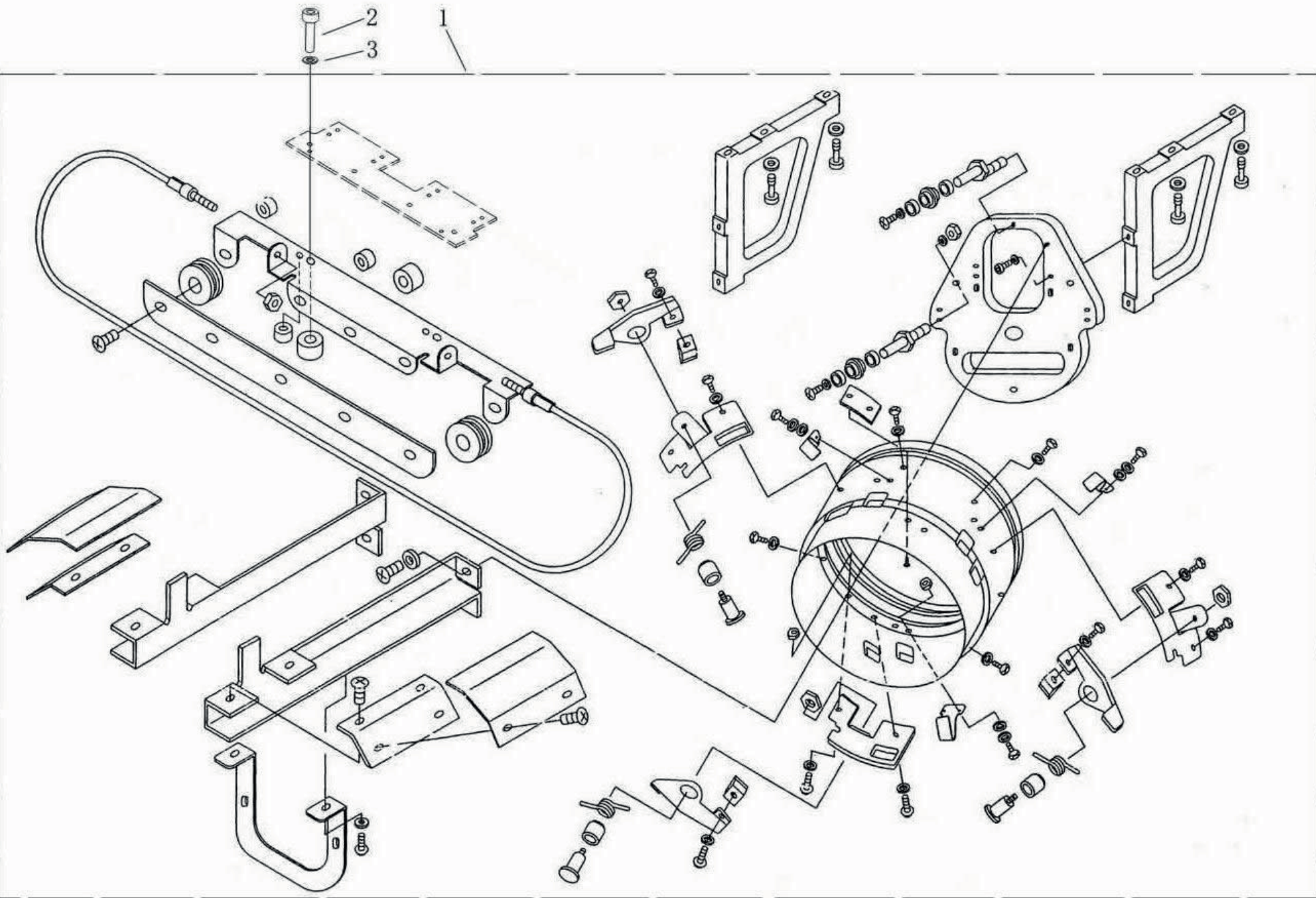




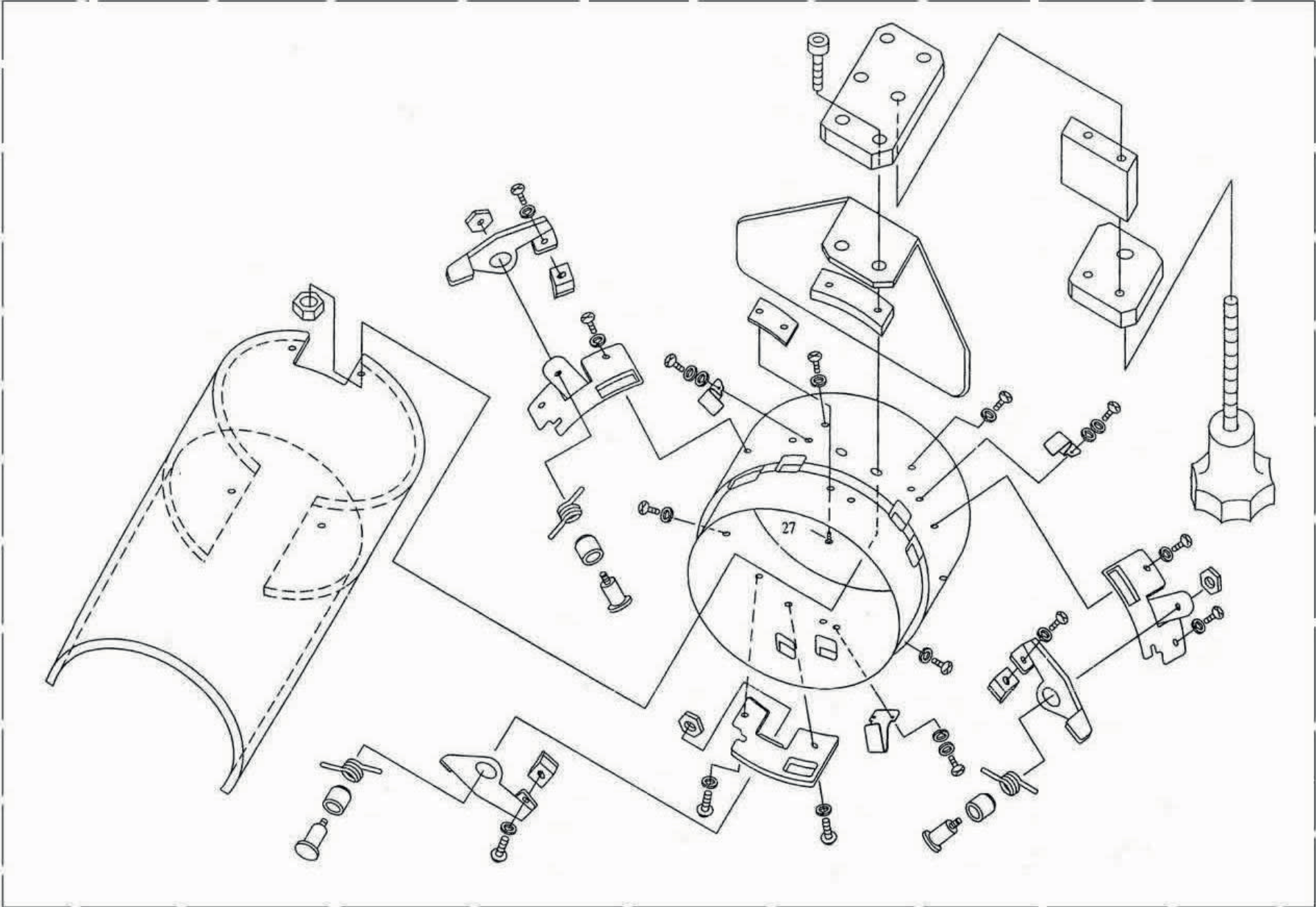
# 18. THREAD HOOKING ASSEMBLY (FOUR SIX EIGHT TEN TWELVE FIFTEEN HEADS)



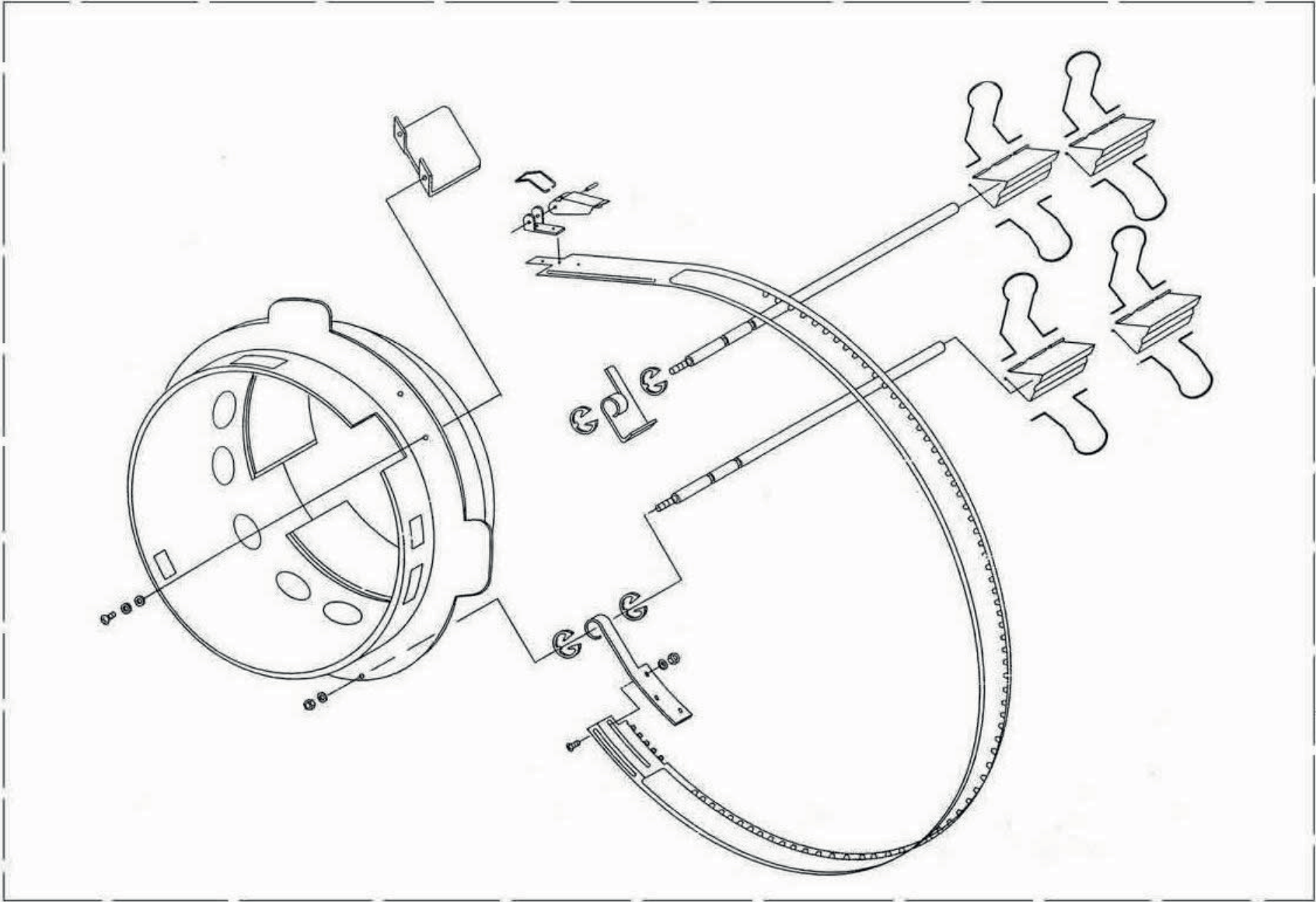
# 19. CAP DRIVER



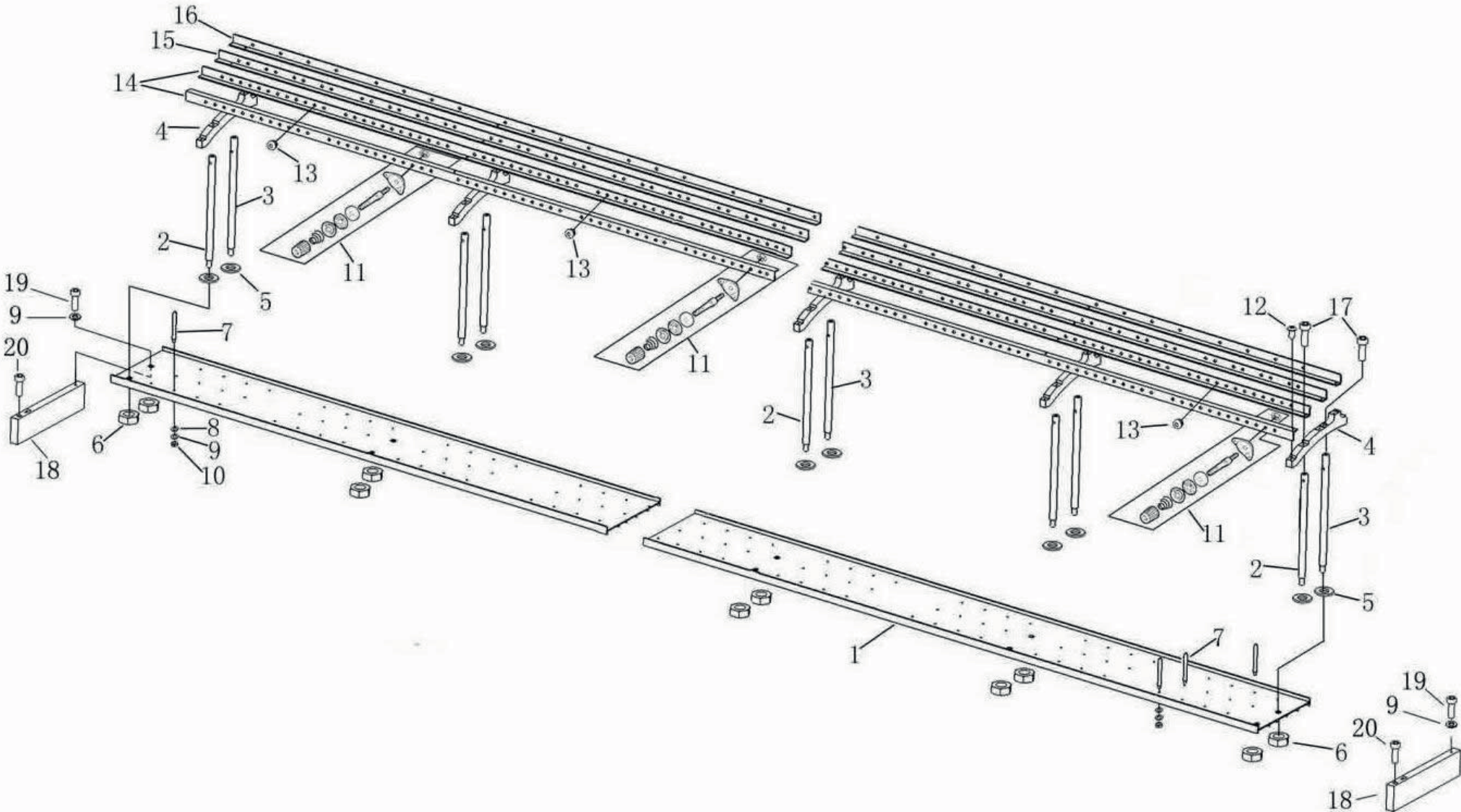
# 20. CAP HOLDER



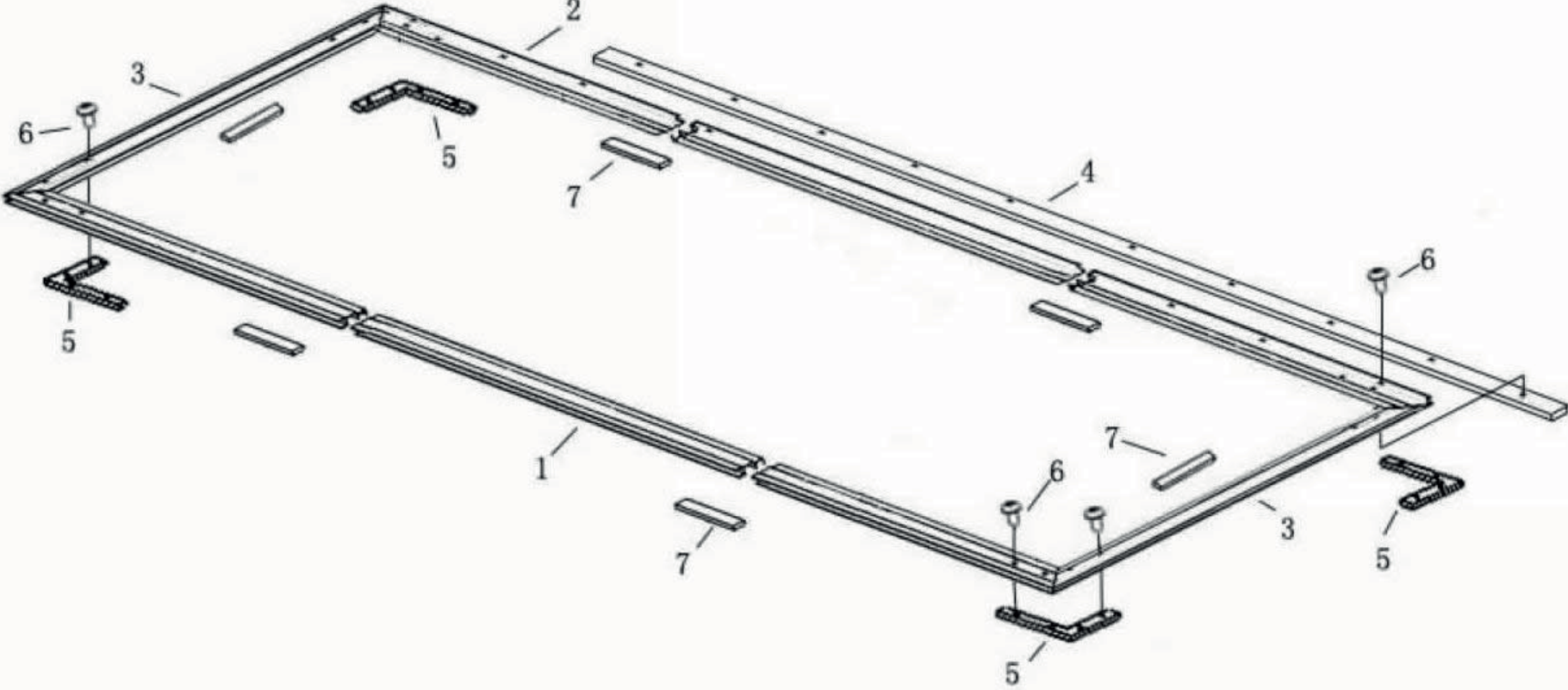
21. CAP FRAME



# 22. THREAD STAND ASSEMBLY



# 23. EMBROIDERY FRAME



# BUTTERFLY BRAND MULTI HEAD MACHINE PARTS BOOK

CONTRACT NO:

APPLICANT:

APPLICATION DATE:

SERIAL NUMBER:



DIAGRAM/PART.	QUANTITY	REMARKS

REMARKS:

